

**Part Info**

Diagram #		Part name
<b>1</b> on diagram	Image not available	<b>Spring</b> <b>Number:</b> 900199-48
<b>2</b> on diagram	Image not available	<b>Switch</b> <b>Number:</b> 910971-01
<b>3</b> on diagram	Image not available	<b>Screw</b> <b>Number:</b> 910703-01
<b>4</b> on diagram	Image not available	<b>Cable</b> <b>Number:</b> 911525-03
<b>4A</b> on diagram	Image not available	<b>Cable</b> <b>Number:</b> 911525-13
<b>5</b> on diagram	Image not available	<b>Screw</b> <b>Number:</b> 910703-01

**Part Info**

Diagram #		Part name
<b>6</b> on diagram	Image not available	<b>Chassis</b> <b>Number:</b> 913573-01
<b>7</b> on diagram	Image not available	<b>Screw</b> <b>Number:</b> 910703-01
<b>8</b> on diagram	Image not available	<b>Screw</b> <b>Number:</b> 910703-01
<b>9</b> on diagram	Image not available	<b>Inlet cyclone passve</b> <b>Number:</b> 916091-01
<b>10</b> on diagram	Image not available	<b>Inlet</b> <b>Number:</b> 916090-01
<b>11</b> on diagram	Image not available	<b>Seal</b> <b>Number:</b> 913661-01
<b>12</b> on diagram	Image not available	<b>Screw</b> <b>Number:</b> 914426-02
<b>13</b> on diagram	Image not available	<b>Wheel assembly</b> <b>Number:</b> 913658-01
<b>14</b> on diagram	Image not available	<b>Chassis</b> <b>Number:</b> 913575-01
<b>15</b> on diagram	Image not available	<b>Pcb assembly</b> <b>Number:</b> 912458-01

**Part Info**

Diagram #		Part name
<b>16</b> on diagram	Image not available	<b>Castor bdy</b> <b>Number:</b> 900465-08
<b>17</b> on diagram	Image not available	<b>Castor rlr</b> <b>Number:</b> 900463-08
<b>18</b> on diagram	Image not available	<b>Axle</b> <b>Number:</b> 900464-02 <b>Substitution:</b> 900464-01 <div style="border: 1px solid black; padding: 5px; margin-top: 10px;">This part is a manufacturer-approved substitute. It may differ in appearance from the original part but is a functional equivalent.</div>
<b>19</b> on diagram	Image not available	<b>Screw</b> <b>Number:</b> 910702-04
<b>20</b> on diagram	Image not available	<b>Wire harness,motor</b> <b>Number:</b> 913530-01
<b>20A</b> on diagram	Image not available	<b>Harness</b> <b>Number:</b> 915477-01
<b>21</b> on diagram	Image not available	<b>Housing</b> <b>Number:</b> 914296-01
<b>22</b> on diagram	Image not available	<b>O ring</b> <b>Number:</b> 900170-19
<b>23</b> on diagram	Image not available	<b>Cap assembly</b> <b>Number:</b> 916082-01

**Part Info**

Diagram #		Part name
<b>24</b> on diagram	Image not available	<b>Spring,bleed valve</b> <b>Number:</b> 919900-56
<b>24A</b> on diagram	Image not available	<b>Spring</b> <b>Number:</b> 919900-57
<b>25</b> on diagram	Image not available	<b>Screw</b> <b>Number:</b> 910702-10
<b>26</b> on diagram	Image not available	<b>Door assembly</b> <b>Number:</b> 916080-01
<b>27</b> on diagram	Image not available	<b>Wheel assembly</b> <b>Number:</b> 913658-01
<b>28</b> on diagram	Image not available	<b>Cable</b> <b>Number:</b> 913656-01
<b>29</b> on diagram	Image not available	<b>Actuator</b> <b>Number:</b> 913652-01
<b>30</b> on diagram	Image not available	<b>Spring</b> <b>Number:</b> 900199-48
<b>31</b> on diagram	Image not available	<b>Housing</b> <b>Number:</b> 913654-01
<b>32</b> on diagram	Image not available	<b>Catch</b> <b>Number:</b> 913649-01

**Part Info**

Diagram #		Part name
<b>33</b> on diagram	Image not available	<b>Spring</b> <b>Number:</b> 919900-29
<b>34</b> on diagram	Image not available	<b>Housing</b> <b>Number:</b> 913650-01
<b>35</b> on diagram	Image not available	<b>Rear guide</b> <b>Number:</b> 913611-01
<b>36</b> on diagram	Image not available	<b>Tool strge</b> <b>Number:</b> 913607-01
<b>37</b> on diagram	Image not available	<b>Actuator</b> <b>Number:</b> 914846-01 <b>Substitution:</b> 913652-01 <div data-bbox="435 1142 760 1295" style="border: 1px solid black; padding: 5px; margin-top: 10px;">This part is a manufacturer-approved substitute. It may differ in appearance from the original part but is a functional equivalent.</div>
<b>38</b> on diagram	Image not available	<b>Yoke park</b> <b>Number:</b> 913610-01
<b>39</b> on diagram	Image not available	<b>Duct seal</b> <b>Number:</b> 913577-01
<b>40</b> on diagram	Image not available	<b>Screw</b> <b>Number:</b> 910703-01
<b>41</b> on diagram	Image not available	<b>Duct cover</b> <b>Number:</b> 913576-01

**Part Info**

Diagram #		Part name
<b>42</b> on diagram	Image not available	<b>Screw</b> <b>Number:</b> 910702-04
<b>43</b> on diagram	Image not available	<b>Motor assembly</b> <b>Number:</b> 916001-04
<b>43A</b> on diagram	Image not available	<b>Motor</b> <b>Number:</b> 916001-08
<b>44</b> on diagram	Image not available	<b>Filter assembly</b> <b>Number:</b> 916083-01
<b>45</b> on diagram	Image not available	<b>Hsing asy</b> <b>Number:</b> 916081-01
<b>46</b> on diagram	Image not available	<b>Prefilter</b> <b>Number:</b> 913394-02 <b>Substitution:</b> 919778-02

This part is a manufacturer-approved substitute. It may differ in appearance from the original part but is a functional equivalent.

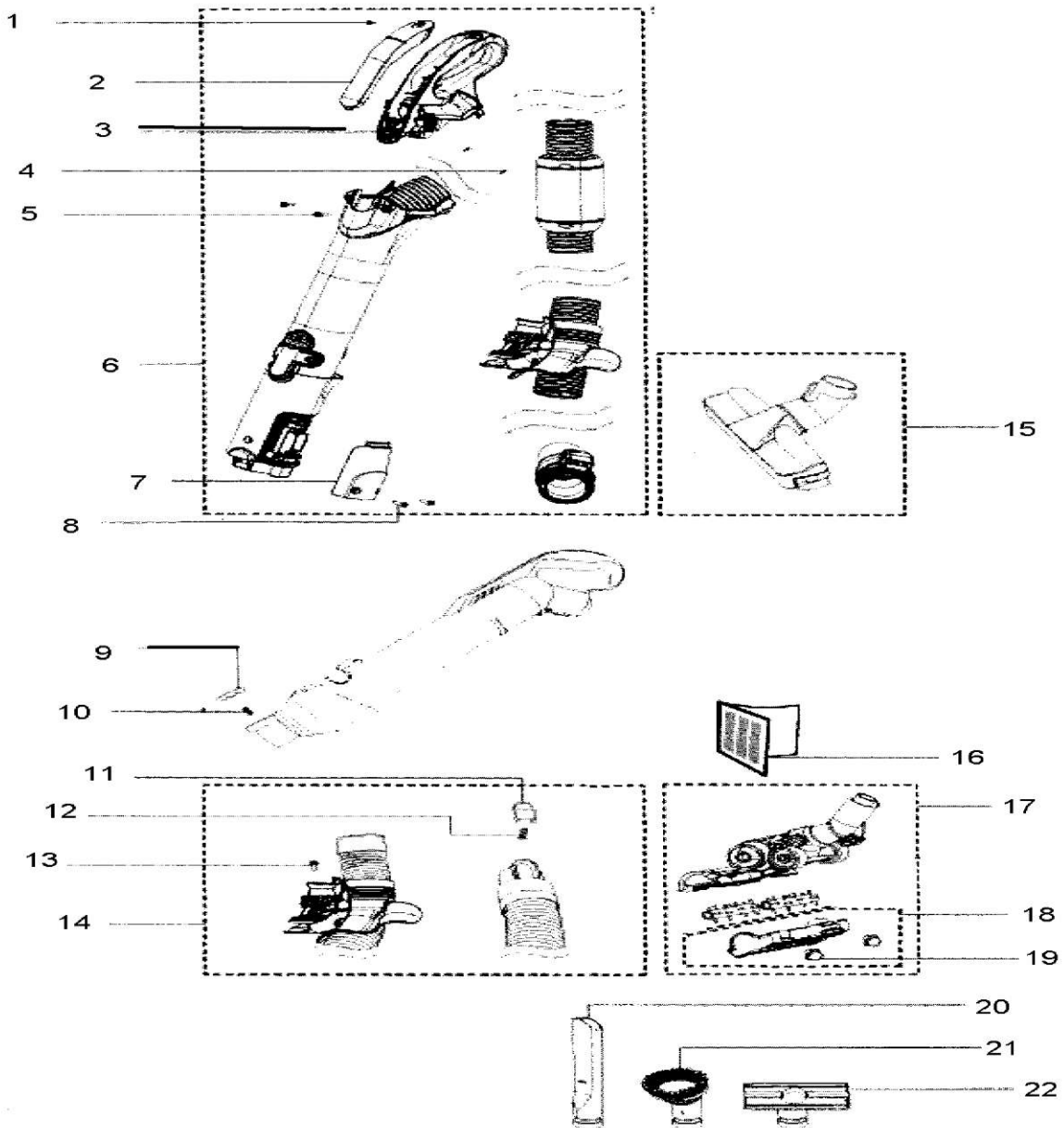


Diagram #	Part name
<p><b>1</b> on diagram</p> <p>Image not available</p>	<p><b>Screw</b> Number: 910702-22</p> <div style="border: 1px solid black; padding: 5px; margin-top: 10px;"> <p>This part is no longer available. No alternate or substitute part has been recommended by the manufacturer.</p> </div>
<p><b>2</b> on diagram</p> <p>Image not available</p>	<p><b>Handle cover</b> Number: 910858-01</p>
<p><b>3</b> on diagram</p> <p>Image not available</p>	<p><b>Wand handl</b> Number: 910856-01</p>
<p><b>4</b> on diagram</p> <p>Image not available</p>	<p><b>Screw</b> Number: 910702-22</p>
<p><b>5</b> on diagram</p> <p>Image not</p>	<p><b>Screw</b> Number: 910703-01</p>

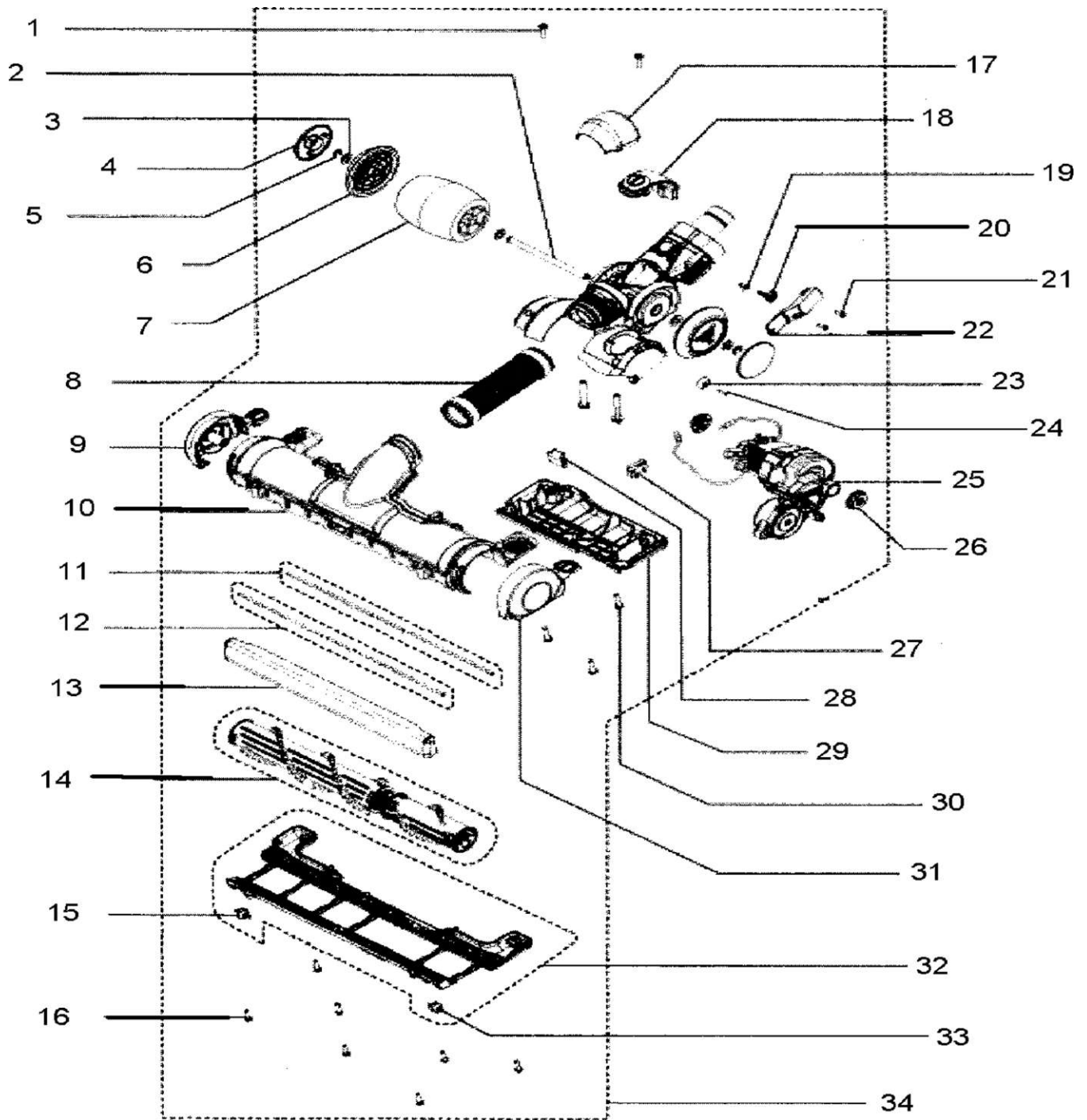


**Part Info**

Diagram #		Part name
<b>6</b> on diagram	Image not available	<b>Wand hose</b> <b>Number:</b> 914847-03
<b>7</b> on diagram	Image not available	<b>Cuff cover</b> <b>Number:</b> 910860-01
<b>8</b> on diagram	Image not available	<b>Screw</b> <b>Number:</b> 910703-01
<b>9</b> on diagram	Image not available	<b>Swvl.catch</b> <b>Number:</b> 907641-07
<b>9A</b> on diagram	Image not available	<b>Silver catch</b> <b>Number:</b> 913202-02
<b>10</b> on diagram	Image not available	<b>Spring</b> <b>Number:</b> 900199-21
<b>11</b> on diagram	Image not available	<b>Swvl catch</b> <b>Number:</b> 913202-03
<b>12</b> on diagram	Image not available	<b>Spring</b> <b>Number:</b> 900199-21
<b>13</b> on diagram	Image not available	<b>Screw</b> <b>Number:</b> 910703-01
<b>14</b> on diagram	Image not available	<b>Hose assembly</b> <b>Number:</b> 918297-01

**Part Info**

Diagram #		Part name
<b>15</b> on diagram	Image not available	<b>Floor tool</b> <b>Number:</b> 906562-08
<b>16</b> on diagram	Image not available	<b>Package instruction</b> <b>Number:</b> 914474-04
<b>17</b> on diagram	Image not available	<b>Turbine hd</b> <b>Number:</b> 906565-29
<b>18</b> on diagram	Image not available	<b>Sole plate asy</b> <b>Number:</b> 907303-17
<b>19</b> on diagram	Image not available	<b>Fastener titanum</b> <b>Number:</b> 905768-12
<b>20</b> on diagram	Image not available	<b>Crevice tool</b> <b>Number:</b> 913612-01
<b>21</b> on diagram	Image not available	<b>Tool brush</b> <b>Number:</b> 913614-01
<b>22</b> on diagram	Image not available	<b>Stair tool</b> <b>Number:</b> 915100-02



**Part Info**

Diagram #		Part name
<b>1</b> on diagram	Image not available	<b>Screw</b> <b>Number:</b> 910702-15
<b>2</b> on diagram	Image not available	<b>Axle</b> <b>Number:</b> 909804-01
<b>3</b> on diagram	Image not available	<b>Washer</b> <b>Number:</b> 900534-01
<b>4</b> on diagram	Image not available	<b>Cap</b> <b>Number:</b> 900049-18
<b>5</b> on diagram	Image not available	<b>Wheel e-cl</b> <b>Number:</b> 900146-01
<b>6</b> on diagram	Image not available	<b>Hub wheel</b> <b>Number:</b> 909797-01

**Part Info**

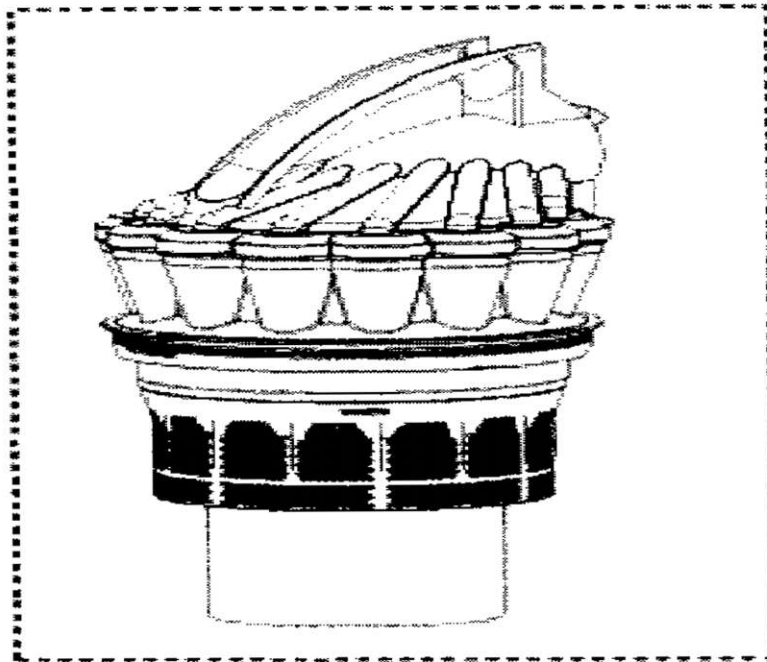
Diagram #		Part name
<b>7</b> on diagram	Image not available	<b>Wheel,barrel</b> <b>Number:</b> 909756-01
<b>8</b> on diagram	Image not available	<b>Hose</b> <b>Number:</b> 910986-01
<b>9</b> on diagram	Image not available	<b>End cap r</b> <b>Number:</b> 909548-03
<b>10</b> on diagram	Image not available	<b>Housing</b> <b>Number:</b> 913103-01
<b>11</b> on diagram	Image not available	<b>Ropeseal</b> <b>Number:</b> 912641-01
<b>12</b> on diagram	Image not available	<b>Ropeseal</b> <b>Number:</b> 912641-02
<b>13</b> on diagram	Image not available	<b>Bumper</b> <b>Number:</b> 909811-01
<b>14</b> on diagram	Image not available	<b>Brush bar</b> <b>Number:</b> 907304-03
<b>15</b> on diagram	Image not available	<b>Wheel</b> <b>Number:</b> 909747-02
<b>16</b> on diagram	Image not available	<b>Screw</b> <b>Number:</b> 910702-10

**Part Info**

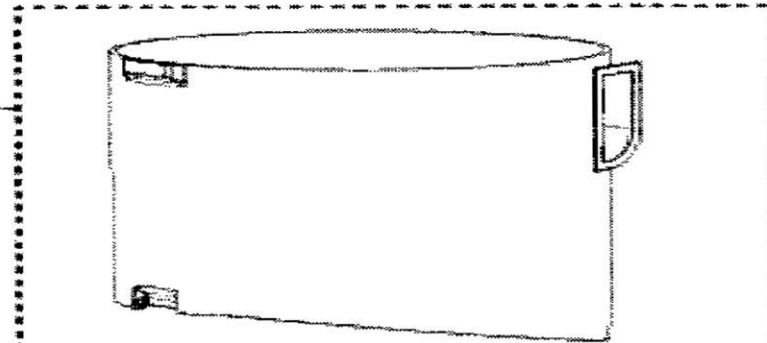
Diagram #		Part name
<b>17</b> on diagram	Image not available	<b>Gimble cover</b> Number: 909760-01
<b>18</b> on diagram	Image not available	<b>Actuator</b> Number: 910196-01
<b>19</b> on diagram	Image not available	<b>Spring</b> Number: 910987-01
<b>20</b> on diagram	Image not available	<b>Switch cam</b> Number: 910969-01
<b>21</b> on diagram	Image not available	<b>Screw</b> Number: 910703-02
<b>22</b> on diagram	Image not available	<b>Stow cover</b> Number: 909803-01
<b>23</b> on diagram	Image not available	<b>Stow wheel</b> Number: 904579-02
<b>24</b> on diagram	Image not available	<b>Axle</b> Number: 904578-02
<b>25</b> on diagram	Image not available	<b>Motor brush bar</b> Number: 910205-01

**Part Info**

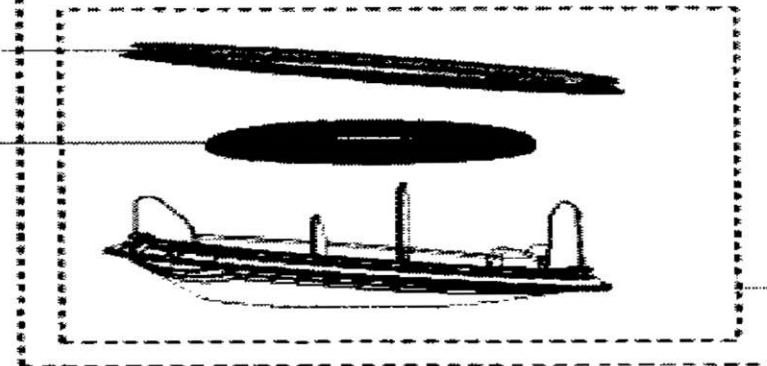
Diagram #		Part name
<b>26</b> on diagram	Image not available	<b>End motor</b> <b>Number:</b> 907353-01
<b>27</b> on diagram	Image not available	<b>Micro switch</b> <b>Number:</b> 913958-01 <div style="border: 1px solid black; padding: 5px; margin-top: 10px;">This part is a manufacturer-approved substitute. It may differ in appearance from the original part but is a functional equivalent.</div>
<b>28</b> on diagram	Image not available	<b>Motor mount</b> <b>Number:</b> 910499-01
<b>29</b> on diagram	Image not available	<b>Motor cover</b> <b>Number:</b> 910192-01
<b>30</b> on diagram	Image not available	<b>Screw</b> <b>Number:</b> 910703-01
<b>31</b> on diagram	Image not available	<b>End cap I</b> <b>Number:</b> 909549-03
<b>32</b> on diagram	Image not available	<b>Soleplate</b> <b>Number:</b> 913101-01
<b>33</b> on diagram	Image not available	<b>Axle</b> <b>Number:</b> 911165-01
<b>34</b> on diagram	Image not available	<b>Floor tool</b> <b>Number:</b> 913031-01



1



2



3

4

5



**Part Info**

Diagram #		Part name
<b>1</b> on diagram	Image not available	<b>Cyclone,yi</b> <b>Number:</b> 914735-03
<b>1A</b> on diagram	Image not available	<b>Cyclone assy blue</b> <b>Number:</b> 914735-16
<b>1B</b> on diagram	Image not available	<b>Cyclone,pr</b> <b>Number:</b> 914735-31
<b>2</b> on diagram	Image not available	<b>Bin assembly</b> <b>Number:</b> 914796-01
<b>3</b> on diagram	Image not available	<b>Seal</b> <b>Number:</b> 913602-01
<b>4</b> on diagram	Image not available	<b>Seal</b> <b>Number:</b> 914798-01
<b>5</b> on diagram	Image not available	<b>Base assembly</b> <b>Number:</b> 914797-01