

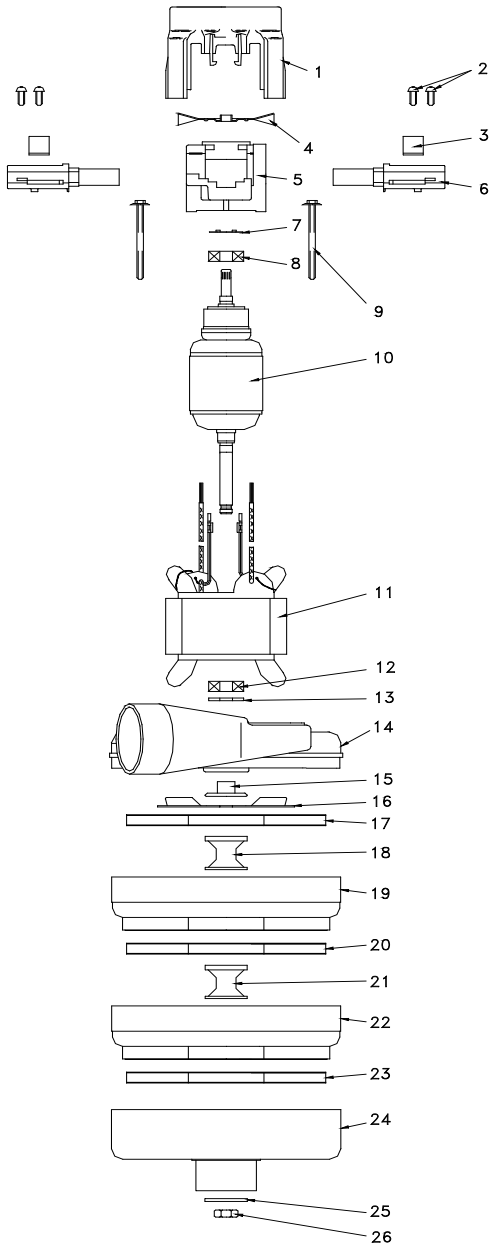
PARTS BULLETIN

AMETEK
LAMB ELECTRIC DIVISION

MODEL NO.
117446-29

ISSUED: March 1994
REVISED: November 2000

5.7"/145mm DIAMETER, 120V, 3-STAGE, BY-PASS, BALL/BALL, TANGENTIAL DISCHARGE, AIR SEAL AND EPOXY



PARTS LIST

	<u>DESCRIPTION</u>	<u>REQUIRED</u>	<u>PART NO.</u>
1	HOUSING	1	70-3733-4
2	SCREW	4	50-7971
3	CLAMP	2	10-5477
4	FAN	1	0-3956-1
5	COMM END BRUSH	1	20-6581
6	BRUSH MECHANISM	2	33423-1
7	LOAD SPRING	1	10-3543
8	BALL BEARING	1	70-7613-2
9	SCREW	2	50-7995-7
10	ARMATURE	1	217446-00
11	FIELD	1	317446-00
12	BALL BEARING	1	70-7619-2
13	NEOPRENE WASHER	1	10-2494
14	FAN END BRACKET	1	44442
15	SPACER	1	30-2939
16	FAN	1	0-3939
17	ROTATING FAN	1	31292
18	SPACER	1	20-2991
19	STATIONARY FAN	1	31495-10
20	ROTATING FAN	1	31292
21	SPACER	1	20-2991
22	STATIONARY FAN	1	31496-10
23	ROTATING FAN	1	31292
24	FAN SHELL	1	45899-10
25	WASHER	1	30-2290
26	NUT	1	7491

PART SUBJECT TO CHANGE WITHOUT NOTICE.

*THIS INFORMATION IS FOR PART IDENTITY ONLY,
IT IS NOT TO BE USED AS DISASSEMBLY OR
ASSEMBLY INSTRUCTIONS.*

*REPLACEMENT OF ARMATURE OR FIELD REQUIRES
THE REPLACEMENT OF BRUSH MECHANISM.*

AMETEK/LAMB ELECTRIC DIVISION
627 LAKE STREET, KENT, OHIO 44240
TELEPHONE: (330) 673-3451; FAX: (330) 673-8994