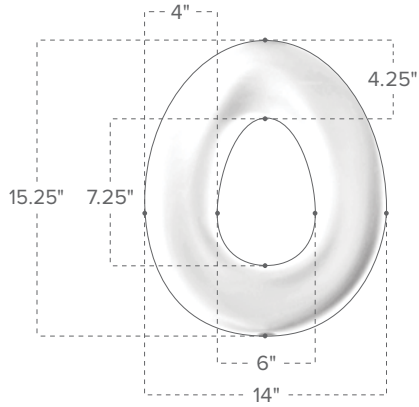


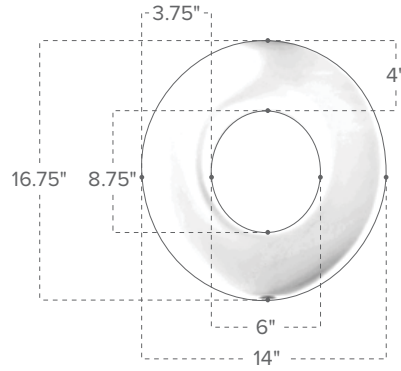
# Portable Potty Seat 5 year warranty

Convenient Comfort

**Elongated Potty Seat**



**Round Potty Seat**



Item	Cherry	Lilac	Lime	Aqua	Dark Gray	Light Gray
Round Seat Cushion	74010001	74010002	74010003	74010004	74010009	74010010
Elongated Seat Cushion	74020001	74020002	74020003	74020004	74020009	74020010

