

**INSTALLATION INSTRUCTIONS**

Accessory	Application
CHIN SPOILER P/N 08F01-S04-100	1997 CIVIC 2/3/4-DOOR

Publication No. AH 18126
Issue Date AUG 1996

**PARTS LIST**

Chin spoiler



2 Flange bolts



11 Spring nuts



9 Bumper bolts



**TOOLS REQUIRED**

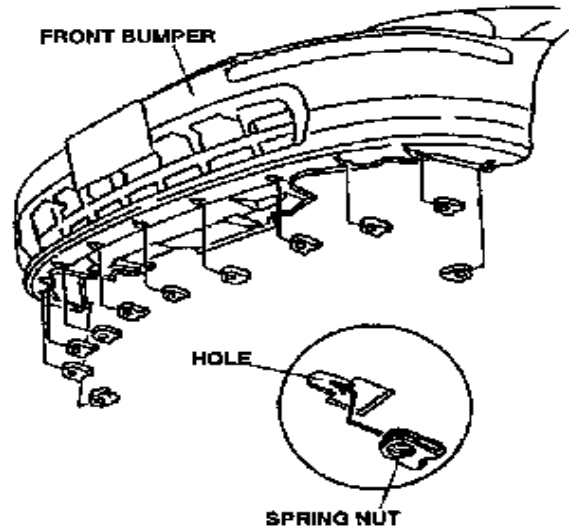
10 mm Combination wrench

**INSTALLATION**

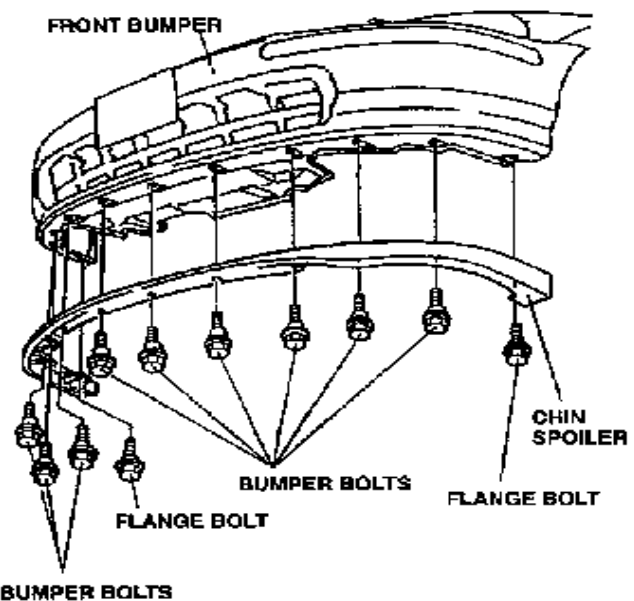
Before You Begin:

- Make sure the area to be covered has been waxed with a high-quality paste wax.
- Be especially careful not to damage the front bumper and other finished surfaces when installing the chin spoiler.

1. Slide the spring nuts through the holes in the front bumper in the direction shown.



2. Position the chin spoiler on the front bumper, and loosely install the two flange bolts and nine bumper bolts as shown.



3. Check that there is no clearance between the front bumper and chin spoiler, then tighten the flange bolts and bumper bolts securely.

