



This Item can be found on
www.OutdoorFurniturePlus.com
www.CedarwoodFurniture.com

Call 877-595-8543 to order.

Outdoor Patio Fireplace

28" Round Fire Pit

MFG Item# 01471



WARNING



FOR YOUR SAFETY

**For Outdoor Use Only
(outside any enclosure)**

WARNING



FOR YOUR SAFETY:

1. Improper installation, adjustment, alteration, service or maintenance can cause injury or property damage.
2. Read the installation, operation, and maintenance instructions thoroughly before installing or servicing this equipment.
3. Failure to follow these instructions could result in fire or explosion, which could cause property damage, personal injury, or death.

*****IMPORTANT NOTICE*****

-Do **NOT** return to place of purchase. For customer service and warranty issues contact our Toll Free Hotline at:
(866)-985-7877 OR

Email: cservice@welltraveled.net

Hotline hours : Mon. – Fri. 9:00 am – 6:00 pm (EST)

****Save these instructions for future reference.****



This Item can be found on
www.OutdoorFurniturePlus.com
www.CedarwoodFurniture.com

Call **877-595-8543** to order.

WARNING
FOR YOUR SAFETY

1. This appliance is for outdoor use only, and should NOT be used in a building, garage, or any other enclosed area.
2. Do NOT use this outdoor fireplace for indoor heating. TOXIC carbon monoxide fumes can accumulate and cause asphyxiation.
3. This outdoor fireplace is NOT for commercial use.
4. This outdoor fireplace is NOT to be operated by children.
5. This outdoor fireplace is NOT to be used on boats or recreational vehicles.
6. Always use in accordance with all applicable local, state and national codes. Contact your local fire department for details on outdoor burning.
7. When using this outdoor fireplace, exercise the same precautions you would with any open fire.
8. The use of alcohol, prescription or non-prescription drugs may impair the consumer's ability to properly assemble or safely operate this outdoor fireplace.
9. Do NOT use this outdoor fireplace without reading the entire "Owner's Manual".
10. This outdoor fireplace is for use with dry, seasoned hardwood. It will burn hotter, more completely and create less smoke.
11. Do NOT burn charcoal briquets, lump charcoal, manufactured logs, driftwood, trash, leaves, paper, cardboard, plywood, painted, stained or pressure treated wood. Avoid using softwoods such as pine or cedar that can throw sparks. Before using this outdoor fireplace, fill with several pounds of sand to help insulate the bottom bowl from the fire.
12. Do NOT alter this outdoor fireplace in any manner.
13. Do NOT use this outdoor fireplace until it is COMPLETELY assembled and all parts are securely fastened and tightened.
14. Do NOT store or use gasoline or other flammable vapors or liquids in the vicinity of this or any other appliance.
15. Do NOT store or use an LP gas cylinder within 10 feet (3.05 m) of this outdoor fireplace while it is in operation.
16. Do NOT use this outdoor fireplace near automobiles, trucks, vans or recreational vehicles,
17. Do NOT use in an explosive atmosphere. Keep outdoor fireplace area clear and free from combustible materials, gasoline and other flammable liquids.
18. Do NOT use this outdoor fireplace under any overhead or near any unprotected combustible constructions. Avoid using near or under overhanging trees and shrubs.
19. Always use this outdoor fireplace on a hard, level non-combustible surface such as concrete, rock or stone. An asphalt or blacktop surface may not be acceptable for this purpose. Do NOT use on wooden decks.
20. Always empty this outdoor fireplace before each use. Leave a thin layer of ash to protect the bottom.
21. Do NOT wear flammable or loose clothing when operating this outdoor fireplace.
22. Do NOT use in windy conditions.
23. Do NOT use this outdoor fireplace unless spark guards are securely in place.
24. Do NOT use gasoline, kerosene, diesel fuel, lighter fluid or alcohol to light or relight fires.
25. Keep all electrical cords away from hot fireplace.
26. All surfaces of this outdoor fireplace are hot when in operation. To avoid burns, do NOT touch fireplace until it has completely cooled unless you are wearing protective gear (potholders, gloves, BBQ mittens, hot pads, etc). Never touch ashes or coals to see if they are hot.
27. Do NOT leave a lit outdoor fireplace unattended, especially around children and pets.
28. Do NOT attempt to move or store this outdoor fireplace until all ashes and coals are completely extinguished.
29. Do NOT remove ashes or coals until they are completely and fully extinguished.
30. Use heat-resistant gloves or hot pads when contacting handles.
31. Use long, sturdy fireplace tools when adding or moving logs.
32. Do NOT place wood directly into bottom of the outdoor fireplace. Place wood only on the wood grid.
33. Do NOT overload the fireplace. Do not add additional firewood until the fire burns down. NOTICE: If any portion of the bowl, lid or spark guards of this outdoor fireplace are glowing red it is overloaded.
34. Do NOT lean over this outdoor fireplace when lighting or when in use.
35. Do NOT place a hot spark guard or hot fireplace tools onto combustible surfaces such as grass, wooden deck or furniture.
36. Avoid breathing smoke from the fire and avoid getting it into your eyes.
37. This outdoor fireplace should be thoroughly inspected and cleaned on a regular basis.
38. After a period of storage and/or non-use, check for signs of damage and creosote build-up. Do NOT operate until necessary repairs and/or cleanup are executed.
39. Deaths, serious injury or damage to property may occur if the above is not followed exactly
40. CAUTION: It is not recommended to use this fire pit (fire place) on a wooden or other combustible surface or any surface that is not entirely resistant to high heat. However, if you intend to use this item on a wooden deck other combustible surface or any surface that is not entirely resistant to high heat, you must use a non-flammable and heat resistant material such as concrete pavers, brick or stone between the fire pit (fire place) and the surface.

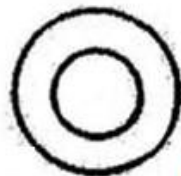
Instructions for Assembly

Call 877-595-8543 to order.

Tools needs for assembly (not included)
 Adjustable wrench, pliers & Philips screwdriver
 (not included)

Parts List		
Part No.	Description	Qty.
1	U leg	1
2	Leg stand	2
3	Handles	2
4	Bowl	1
5	Grate	1
6	Wheel	2
7	Axle	1
8	Screens/screen door	4
9	Connecting bracket	8
10	Lid hanger	1
11	Lid	1
12	Locking latch	1

Hardware List		
Part No.	Description	Qty.
13	Lock Nut	2
14	6 X 35 mm Bolt	6
15	6 X 15 mm Bolt	21
16	6 mm Nut	27
17	Washers	27



17



15



14



13



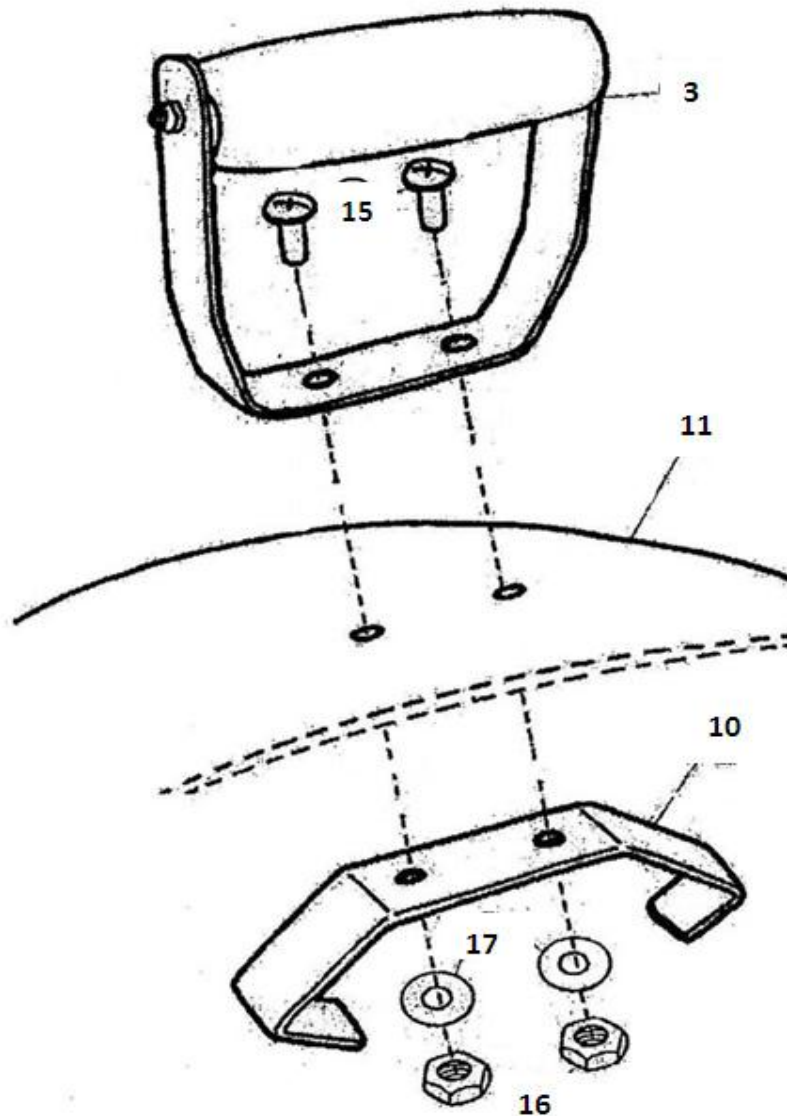
16

Before beginning assembly, be sure to empty the entire contents of carton and make sure all parts are present. Please discard packing appropriately.

Step 1:

Attach Handle & Lid Hanger to Lid

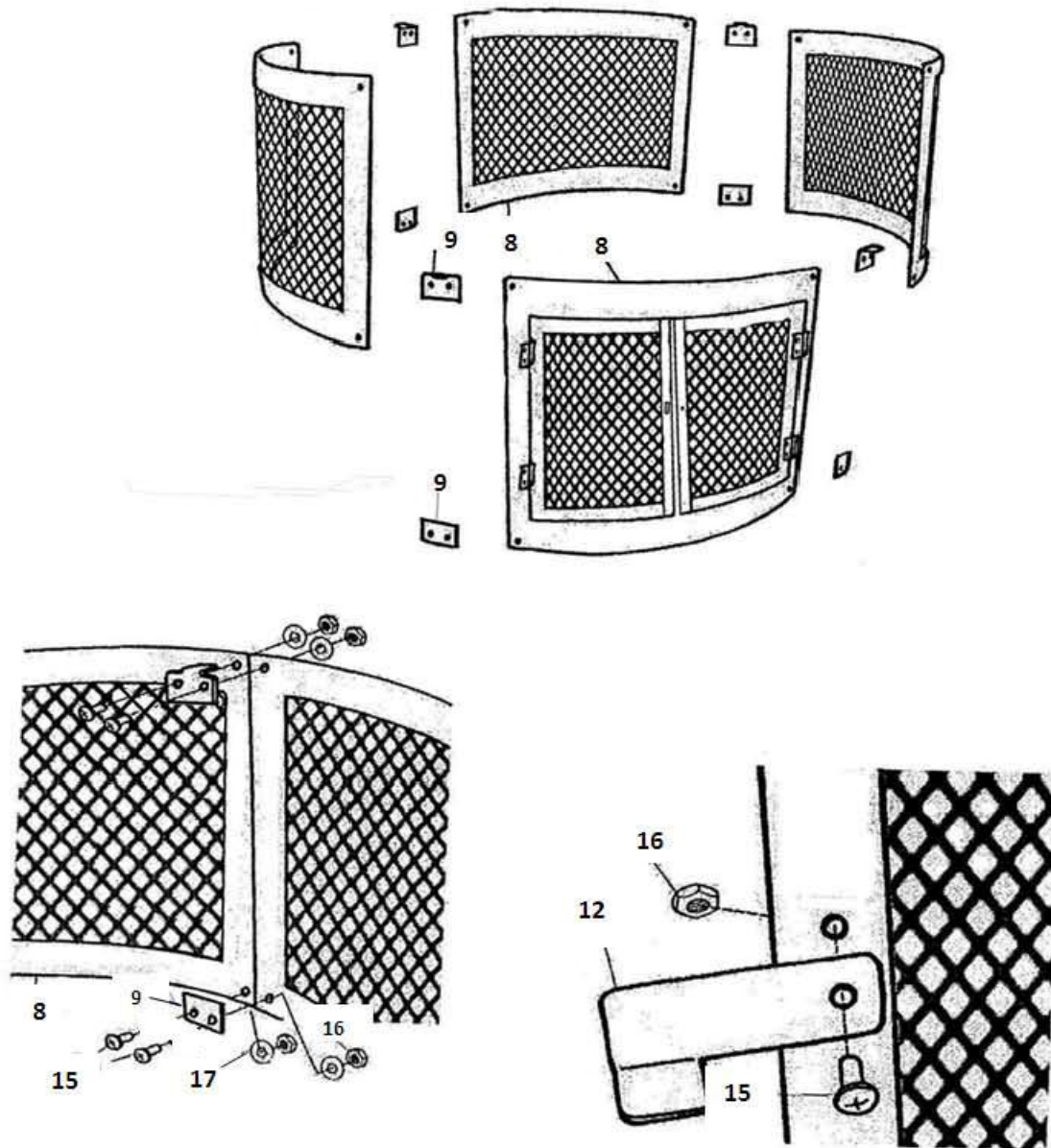
Align holes in handle (3) with exterior holes in lid (11). Align holes of lid hanger (10) to interior holes in lid (11) and insert bolt (15). Slide on washer (17) and secure with nut (16). **Tighten hardware.**



Step 2:

Screen Assembly

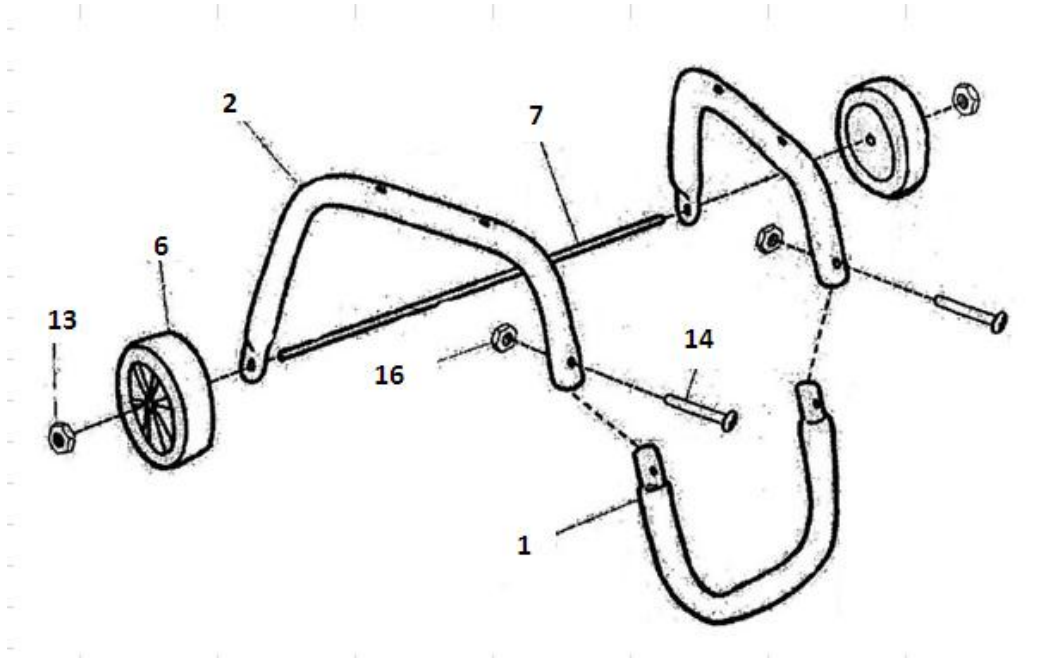
Align holes in connecting brackets (9) with the screen sections and the screen door (8) (Note: Connecting brackets need to face to the outside of screen sections, and tabs on top of connecting brackets need to face to the outside of screen sections). Insert bolt (15) through hole in connecting bracket (9) and screen (8). Slide on washer (17) and secure with nut (16). To attach the locking latch, align hole in latch (12) with hole in screen door (8) and insert bolt (15). Screw on nut (16). **Tighten all hardware.**



Step 3:

Leg Assembly

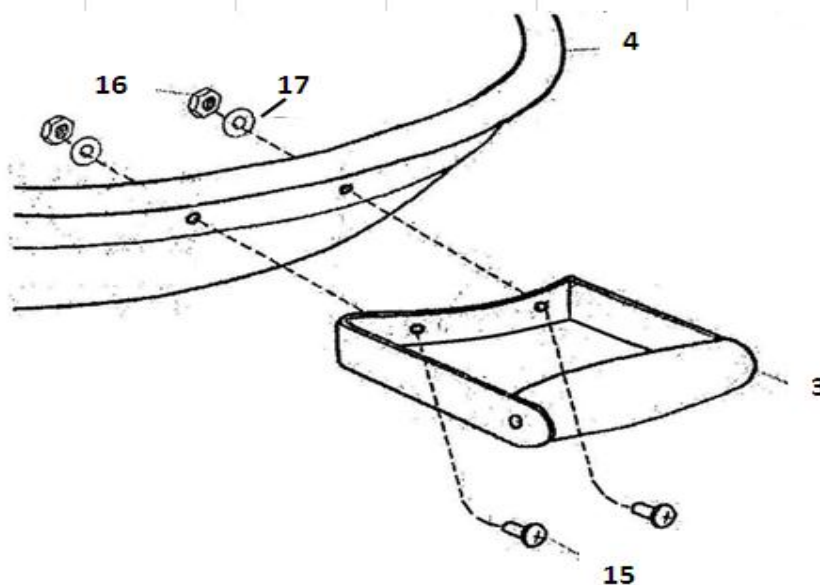
Insert the U leg (1) into the ends of the 2 – leg stands (2) and align holes. Insert bolt (14) through holes and attach nut (16). Repeat for other side. Insert axle (7) through the holes on the 2 – leg stands (2). Attach wheel (6) to end of axle (1) and secure with lock nut (13). Repeat for other side. ***Tighten all hardware.***



Step 4:

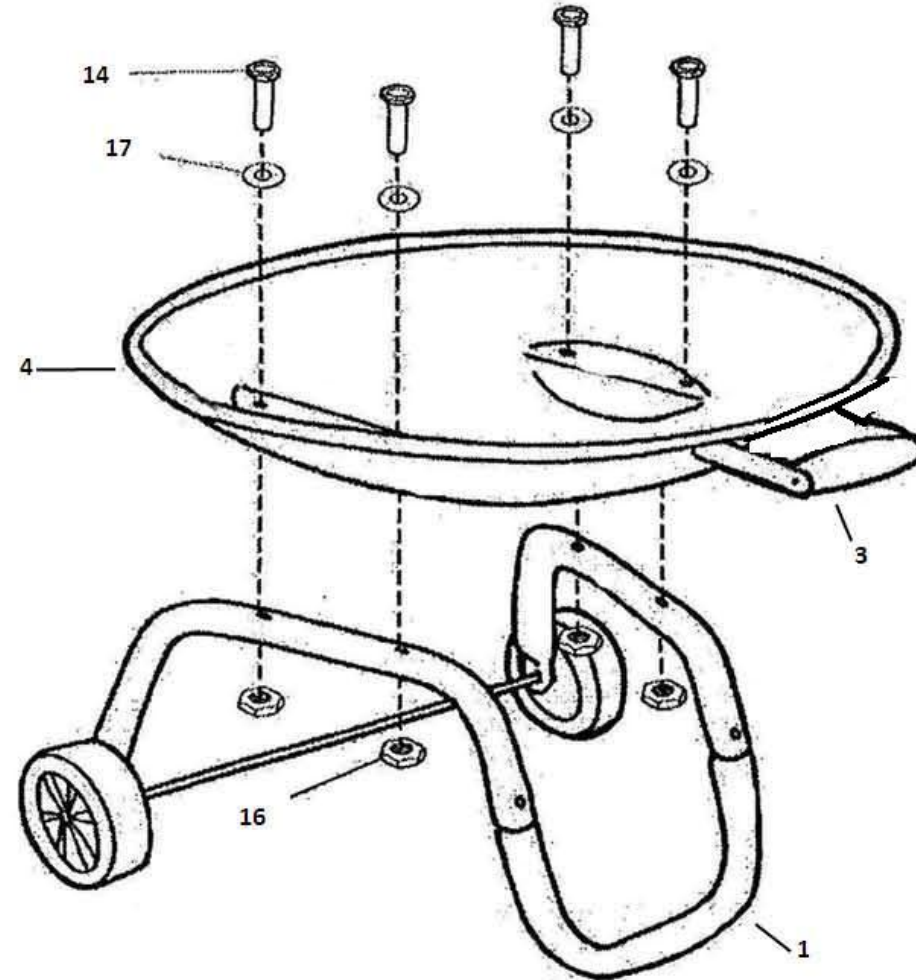
Bottom Bowl Assembly

Attach bowl handle (3) to bowl (4) using 2 bolts (15), 2 washers (17) and 2 nuts (16).



(CONT)

Place bowl (4) on leg assembly (Step 3). Be sure the handle (3) is directly above the U leg (1). Align holes in bowl (4) with the holes in leg stand assembly. Slide washer (17) onto bolt (14) and then insert bolt (14) through hole in bowl and leg assembly. Attach nut (16). Repeat for other side.

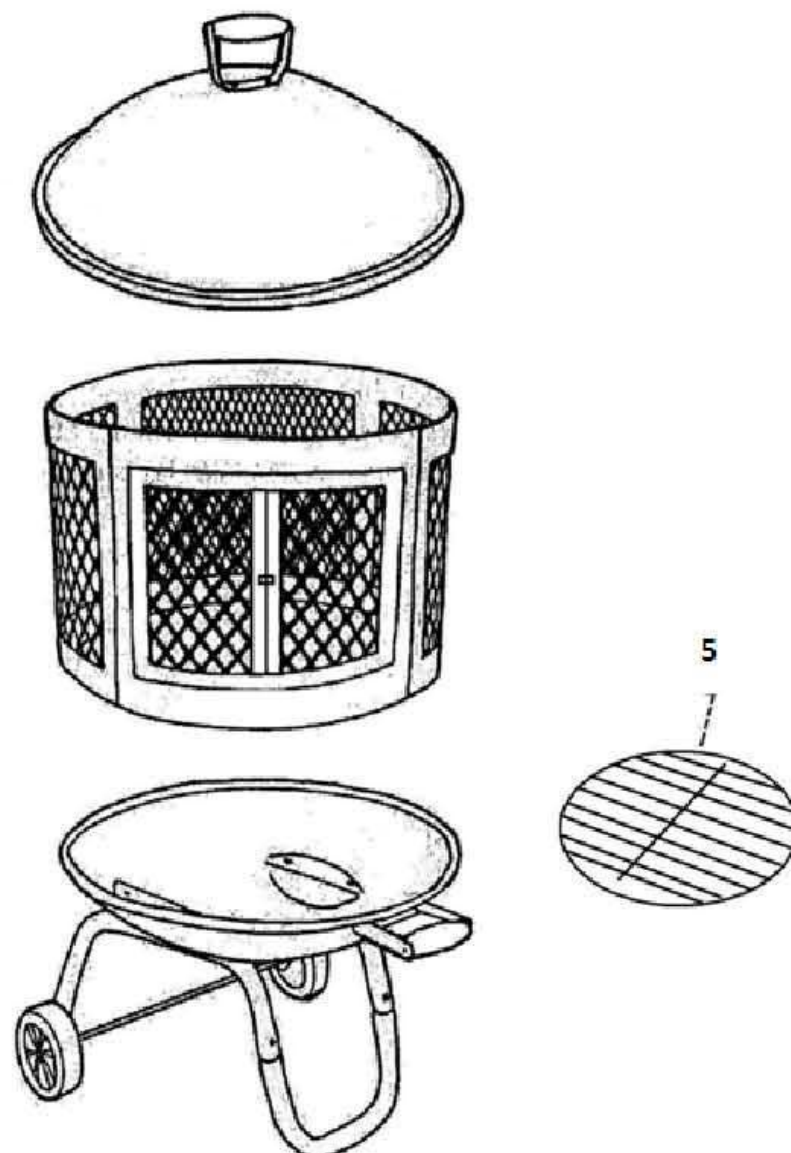


Step 5:

Place screen panel assembly into bowl.

Step 6:

Place grate (5) in the bowl



CLEANING AND CARE

Congratulations on your purchase of this patio fireplace. This product is comprised of steel with an enameled surface and mesh wire screen. Be sure to read ALL safety and operating instructions contained in this manual.

Inspecting

This outdoor fireplace should be inspected on a regular basis to ensure product safety and longer product life. **Do NOT attempt to inspect this outdoor fireplace until the fire is COMPLETELY out.**

1. Check handles to make sure they are secure.
2. Check components for any signs of damage or rust.
3. If damage to any component is detected, do NOT operate until repairs are executed.

CLEANING

This outdoor fireplace should be cleaned on a regular basis to promote safer use and longer product life. NOTE: After repeated use, a slight discoloration of the finish may occur.

Do NOT attempt to clean this outdoor fireplace until the fire is COMPLETELY out.

Do NOT use over cleaner or abrasive cleaners as they will damage this product.

Do NOT clean any part of this outdoor fireplace in a self cleaning oven as it may damage the finish.

1. Wipe exterior surfaces with a mild dishwashing detergent or baking soda.
2. For stubborn surfaces use a citrus based degreaser and a nylon scrubbing brush.
3. Rinse clean with water.
4. Remove build-up creosote from components with a chimney cleaning product.

STORAGE

Do NOT move or store this outdoor fireplace until the fire is COMPLETELY out.

1. Once the fire is out, coals are cold and the outdoor fireplace is cool to the touch, remove ashes and properly dispose.
2. Cover outdoor fireplace with a durable vinyl cover designed to fit this unit.
3. Store assembled in a location away from children and pets.

NOTE: If you do not use a cover, store this outdoor fireplace in a dry location to maximize product life.

This Item can be found on
www.OutdoorFurniturePlus.com
www.CedarwoodFurniture.com

Call 877-595-8543 to order.

Web: www.wtliving.com
Email: cservice@welltraveled.net

Distributed By:
Well Traveled Living
716 S 8th Street
Amelia Island, FL 32034
Toll Free: 866-WTL-SUPP



1 YEAR LIMITED WARRANTY – Customers in the Continental US

All components are warranted for a period of 1 year after date of purchase by the original owner against defects in materials and workmanship under normal use. This warranty does NOT cover normal wear and weathering, assembly and/or maintenance OR use in a commercial application. At Well Traveled Living's sole discretion, products under warranty will be repaired and/or replaced at no charge to the customer. Any returns sent back to Well Traveled Living must be sent via prepaid freight and in the original retail packaging.

For warranty service contact Well Traveled Living at the address, phone numbers or internet site and email listed in this owner's manual. Be sure to have your sales receipt, date of purchase and catalogue/model numbers available when calling. All warranty service will be coordinated by the Well Traveled Living's, Amelia Island, Florida service center.

This warranty is extended only to the original purchaser. Proof of purchase will be required before warranty service is rendered. The sales receipt is the only valid proof of purchase. This warranty only covers failures due to defects in materials or workmanship which occur during normal use. Failures and/or damage which result from accident, negligence, misuse, abuse, neglect, mishandling, alteration or modification, failure to maintain, improper assembly or maintenance, service by unauthorized agency or use of unauthorized components or damage that is attributable to acts of God are NOT covered.

*****THERE ARE NO EXPRESS WARRANTIES EXCEPT AS LISTED ABOVE*****

*****PURCHASER ASSUMES ALL RISKS IN THE ASSEMBLY AND OPERATION OF THIS UNIT*****

*****FAILURE TO FOLLOW WARNINGS AND OPERATIONAL INSTRUCTIONS CONTAINED IN THIS MANUAL CAN RESULT IN SEVERE PROPERTY DAMAGE AND/OR PERSONAL INJURY*****

IN NO EVENT WILL WELL TRAVELED LIVING, OR ITS DIRECTORS, OFFICERS OR AGENTS BE LIABLE TO THE PURCHASER OR ANY THIRD PARTY, WHETHER IN CONTRACT, IN TORT, OR ON ANY OTHER BASIS, FOR ANY INDIRECT, SPECIAL, PUNITIVE, EXEMPLARY, CONSEQUENTIAL, OR INCIDENTAL LOSS, COST, OR DAMAGE ARISING OUT OF OR IN CONNECTION WITH THE SALE, MAINTENANCE, USE, OR INABILITY TO USE THE PRODUCT, EVEN IF WELL TRAVELED LIVING OR ITS DIRECTORS, OFFICERS OR AGENTS HAVE BEEN ADVISED OF THE POSSIBILITY OF SUCH LOSSES, COSTS OR DAMAGES, OR IF SUCH LOSSES, COSTS, OR DAMAGES ARE FORESEEABLE. IN NO EVENT WILL WELL TRAVELED LIVING, OR ITS OFFICERS, DIRECTORS, OR AGENTS BE LIABLE FOR ANY DIRECT LOSSES, COSTS OR DAMAGES THAT EXCEED THE PURCHASE PRICE OF THE PRODUCT.

SOME JURISDICTIONS DO NOT ALLOW THE EXCLUSION OR LIMITATION OF INCIDENTAL OR CONSEQUENTIAL DAMAGES, SO THE ABOVE LIMITATION OR EXCLUSION MAY NOT APPLY TO THE PURCHASER.

This limited warranty gives you specific legal rights and you may also have other rights which vary from jurisdiction to jurisdiction. The provisions of the United Nations Convention on Contracts for the Sales of Goods shall not apply to this limited warranty or the sale of products covered by this limited warranty.

*****IMPORTANT NOTICE*****

-Do **NOT** return to place of purchase- For customer service and warranty issues contact our Customer Service Center at:
(866)-985-7877 OR

Email: cservice@welltraveled.net

Customer Service Hours: Mon. – Fri. 9:00 a.m. – 6:00 p.m. (EST)