

Twin Ponds End Table Assembly Instructions

The item can be found on
www.CedarwoodFurniture.com

Call 877-595-8537 to order

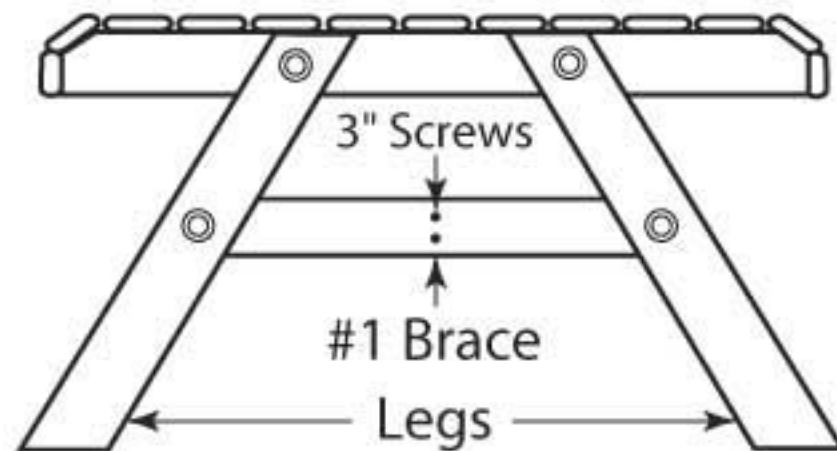
Tools needed for assembly:

Drill.

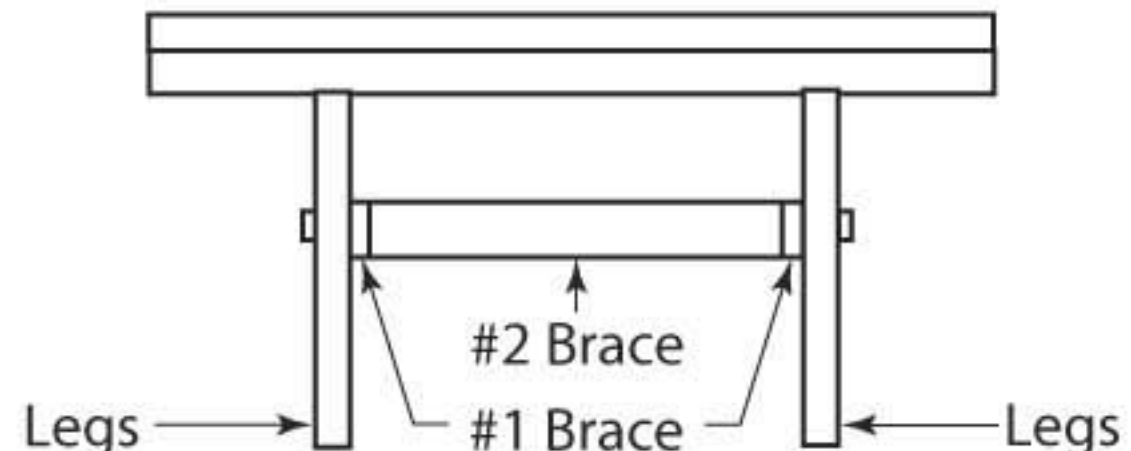
Pliers and 1/4" socket set.

Hammer

- Step 1 Bolt the 4 legs to the top with (4) 3" bolts.
Use a washer under the head, and the nut both. Finger tighten for now.
- Step 2 Bolt the (2) #1 braces to the inside of the legs with the rest of the bolts, nuts & washers.
Tighten all 8 bolts firmly.
- Step 3 Hold the #2 brace in place between the (2) #1 braces and tap the (4) screws through the holes provided, with a hammer, then turn them the rest of the way in with a Phillips screwdriver.



Side View



Front View

Note: Due to product variations, the parts list may be different than what you actually receive with your product.

Parts List For End Table

- 1 – Table Top
- 4 – Legs
- 2 – #1 Braces
- 1 – #2 Brace

Hardware

- 8 – 3" Bolts
- 16 – Washers
- 8 – 1/4" Nuts
- 4 – 3" Screws

Assembly Instructions for Adirondack Chair

Tools needed for assembly:
 Phillips head screwdriver or drill.
 Pliers or 1/4" socket set.
 Hammer for tapping bolts and screws.

Step 1 Lay out all the parts and identify each one by comparing them with the drawing below.

Step 2 Fasten the two front legs to the seat support with 3" bolts. Use a large washer under each end of the bolt. Make sure the end of the legs with the greater angle is down, and the point of the angle forward. Just finger tighten the nuts, then put four woodscrews in through the front piece of the seat and into the legs. Turn the screws in until the heads are sunk in even with the wood. Now tighten the bolts up.

Step 3 Fasten the back legs to the inside of the seat supports as shown, with the square end down, and the top end with the longest angle turned to the back.

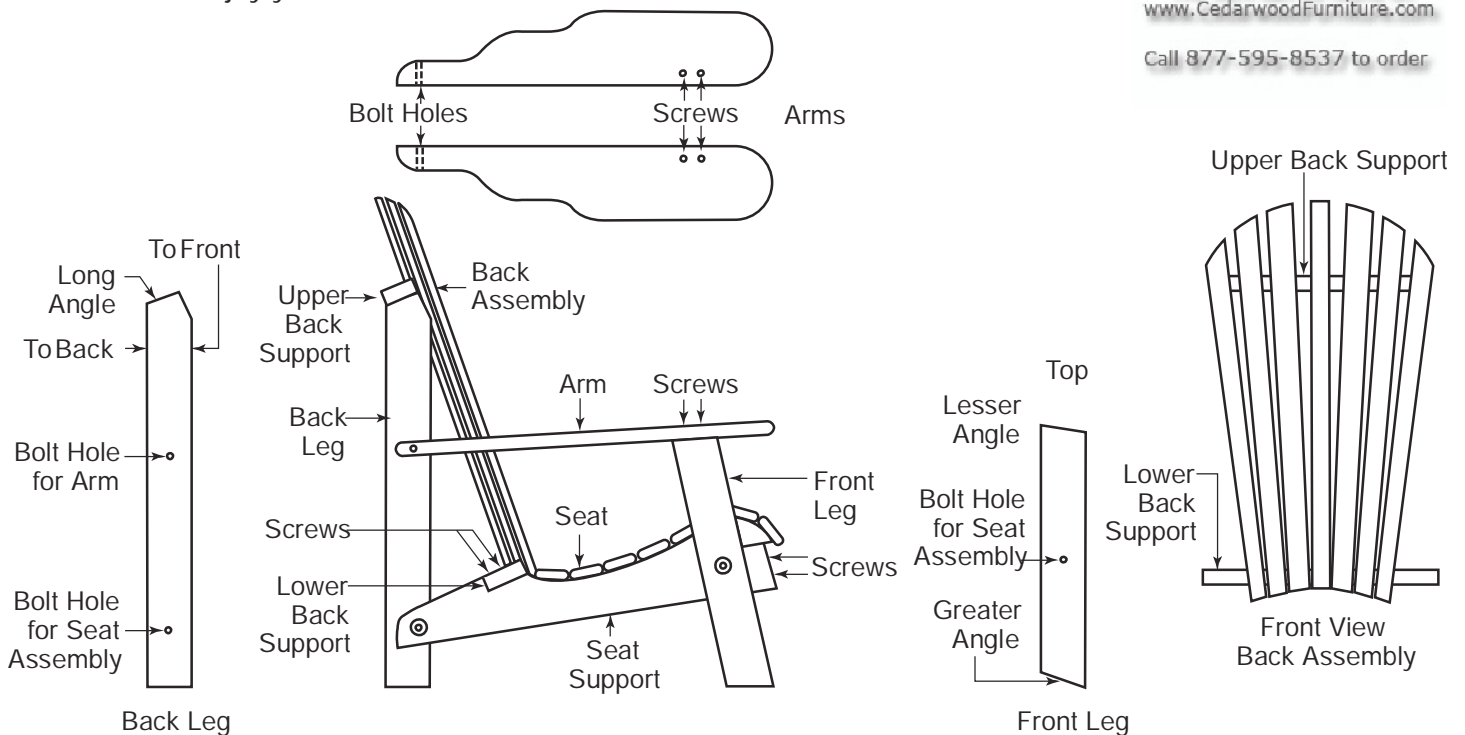
Step 4 Place the back, with the upper back support on top of the back legs. Move the top of the back legs forward for backwards, until the lower back support fits into the notches on the seat supports. Fasten with four screws through the upper back support, into the back legs, keeping the legs even with the ends of the upper back support. Fasten with four screws through the lower back support, into the seat support.

Step 5 Fasten the arms to the back legs with the 3-1/2" carriage bolts, using a small washer inside, under the nut only. Put two screws down through the holes in the arm, into the front legs.

Step 6 Go back over the Adirondack Chair and tighten the bolts and screws with 7/16" socket or pliers. It may be necessary to tighten screws and nuts over the years. Enjoy your Adirondack Chair.

The item can be found on
www.CedarwoodFurniture.com

Call 877-595-8537 to order



Parts List For Chair - May vary by style

- | | | | |
|-------------------|---------------------------|-------------------|----------------|
| 1 – Seat Assembly | 4 – 3" Hex Head Bolts | 8 – Large Washers | 6 – 1/4" Nuts |
| 1 – Back Assembly | 2 – 3-1/2" Carriage Bolts | 2 – Small Washers | 2 – Front Legs |
| 2 – Arms | 16 – Screws | | |