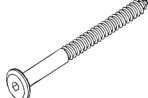




# ASSEMBLY INSTRUCTIONS ALTA PLANTER

REVIEW ALL STEPS BEFORE STARTING ASSEMBLY

## HARDWARE LIST

		Quantity
<b>A</b>	 3" Screw	(8)

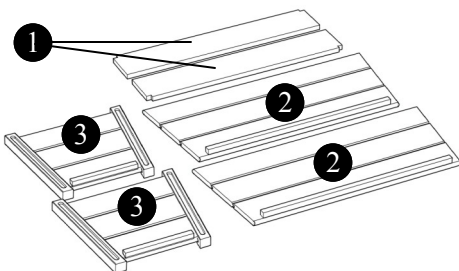
## PRELIMINARIES

When assembling your planter select an area close to where it will be use. Once filled with soil the planter may be difficult to move. Always use caution to avoid injury during assembly and transport.

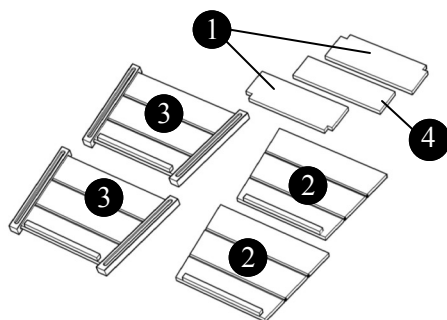
**These instructions comprise steps for assembling both square and rectangular planters.**

## PARTS LIST

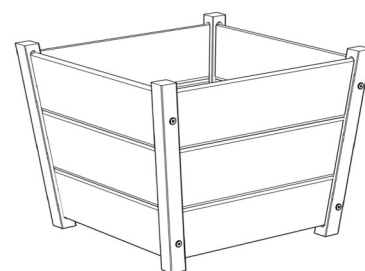
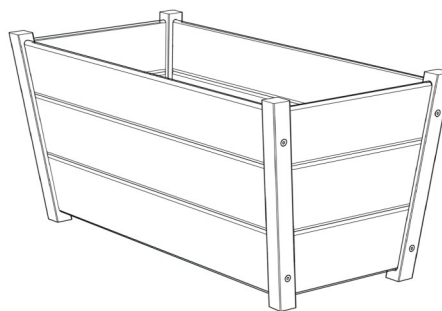
### Rectangular Planter Parts



### Square Planter Parts



## ASSEMBLED PRODUCT



## TOOLS & EQUIPMENT NEEDED

- Power screwdriver or drill

### Win FREE Arboria Products

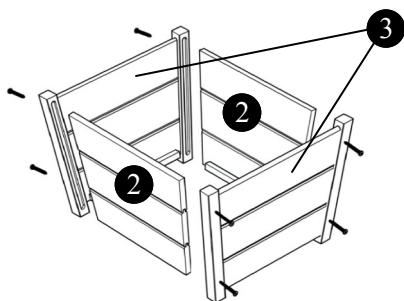
Give us feedback about this Arboria product and be entered into a drawing to win Arboria goods. It's easy, go to [www.Arboria.com](http://www.Arboria.com), choose a product then click on the link to **review**. Be sure to enter your email and telephone so that we may contact you if you win. **Upload a photograph for an extra chance to win.** Visit [www.Arboria.com](http://www.Arboria.com) for official rules. No purchase necessary.



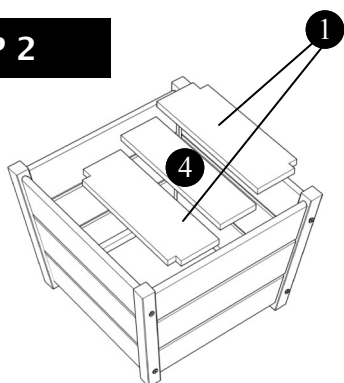
# ASSEMBLY INSTRUCTIONS ALTA PLANTER

## SQUARE PLANTER

### STEP 1



### STEP 2



### Note:

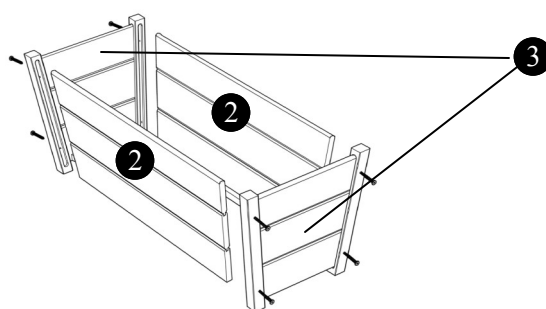
Ensure planter sits level on ground before fastening screws.

### Helpful tip:

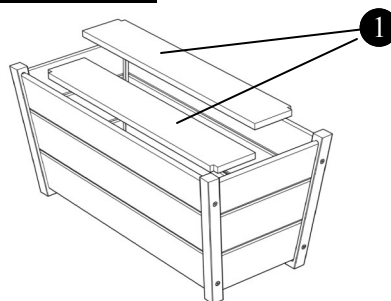
Drainage in planters is important for proper watering and root health. *Lining any planter with newspaper before adding the soil will help filter drainage of excess water. By the time the newspaper decomposes the soil will have adequately set in the container to reduce soil leach.*

## RECTANGULAR PLANTER

### STEP 1



### STEP 2



## ENVIRONMENT

Congratulations, this Arboria garden structure is crafted from natural and chemical-free wood. Wood, as a building component, is recognized by the USDA<sup>1</sup> as yielding fewer greenhouse gases than other common materials. The use of wood provides substantial environmental benefits when compared to oil-based plastics. Using natural, untreated wood in your garden is not only the beautiful choice, but it reduces the exposure of plants, people and animals to potentially harmful chemicals. You can trust the Arboria name for environmentally conscious, exceptional outdoor products.

<sup>1</sup>USDA.com Release No. 0426.11

## ABOUT YOUR PRODUCT

This Arboria garden structure is made from natural and untreated Western Red Cedar, a species that is known for its natural resistance to pests and decay. This product features furniture-style craftsmanship to ensure strength and durability over the years to come. Like all wood products subjected to weather, small hair-line cracks may develop. These should in no way impair the strength and usefulness of the furniture.

## CARE AND MAINTENANCE

If left unstained, your Arboria garden structure will silver within a year or two of exposure to the elements. Silvering is a natural occurrence and is often considered a desirable look. The overall integrity of your garden structure is not compromised during this process. The inherent rot and pest resistance of the wood will provide a degree of protection and help your garden structure to endure over the years.

If you wish to further protect your structure from the long-term effects of aging or to stabilize the color/finish of your product, we recommend applying a quality water or oil-based finish. Best results can be achieved by using Penofin ([www.penofin.com](http://www.penofin.com), 1.800.PENOFIN) as per manufacturer's instructions. If you desire to paint your product, we recommend a quality oil or acrylic primer coat prior to applying the final coat(s). Be sure to allow sufficient time for your product to dry. Avoid applying finish to any metal or non-wood parts, as well as any sections of your product which have a factory applied color stain.