





ASSEMBLY INSTRUCTIONS

EZ PLANT ELEVATED GARDEN

REVIEW ALL STEPS BEFORE STARTING ASSEMBLY

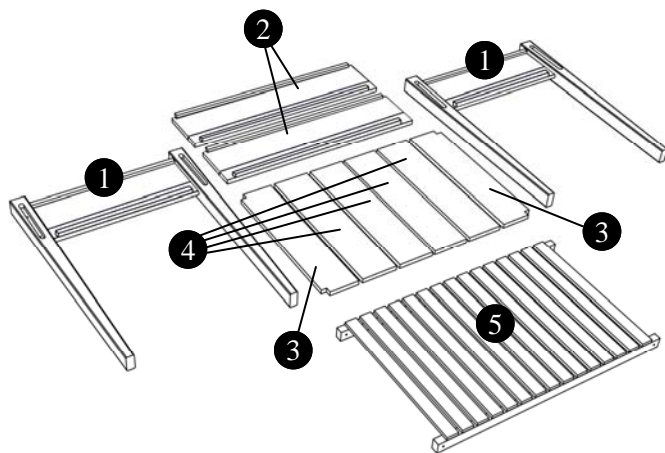
HARDWARE LIST

		Quantity
A	 2" Screw	(4)
B	 3" Screw	(8)

PRELIMINARIES

When assembling your elevated garden, select an area close to where it will be used. The assembly area should be relatively flat and open. Once filled with soil the garden may be difficult to move. Always use caution to avoid injury during assembly and transport.

PARTS LIST



ASSEMBLED PRODUCT



TOOLS REQUIRED

- Power screwdriver or drill

Win FREE Arboria Products

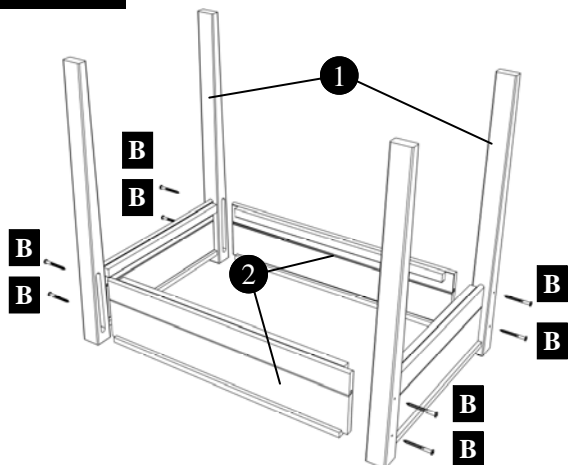
Give us feedback about this Arboria product and be entered into a drawing to win Arboria goods. It's easy, go to www.Arboria.com, choose a product then click on the link to **review**. Be sure to enter your email and telephone so that we may contact you if you win. **Upload a photograph for an extra chance to win.** Visit www.Arboria.com for official rules. No purchase necessary.



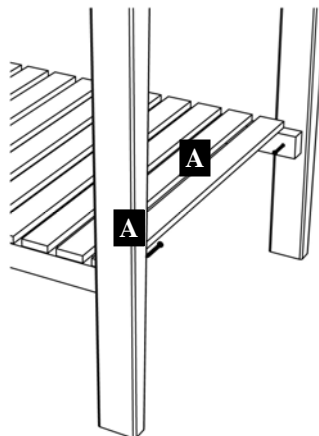
EZ PLANT ELEVATED GARDEN

REVIEW ALL STEPS BEFORE STARTING ASSEMBLY

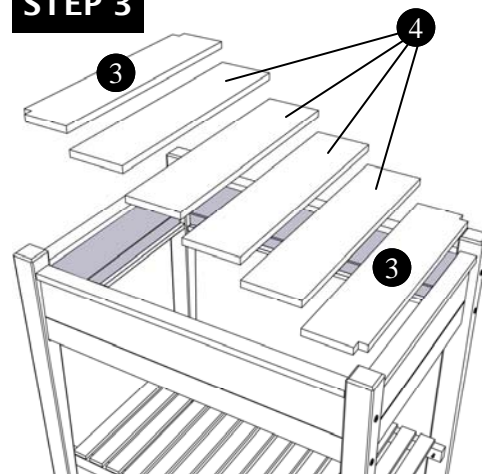
STEP 1



STEP 2



STEP 3



STEP 4 (Optional)

A plastic liner is included for customers wanting a drainage-free garden. Keep in mind that overwatering may lead to root rot when excess water is not allowed to drain from the garden. Alternatively, customers wishing to guide, but not eliminate, water drainage may choose to puncture plastic liner in select locations. Greatest drainage is achieved without using the liner.

STEP 5

Add soil and plant. Enjoy!

ENVIRONMENT

Congratulations, this Arboria garden structure is crafted from natural and chemical-free wood. Wood, as a building component, is recognized by the USDA¹ as yielding fewer greenhouse gases than other common materials. The use of wood provides substantial environmental benefits when compared to oil-based plastics. Using natural, untreated wood in your garden is not only the beautiful choice, but it reduces the exposure of plants, people and animals to potentially harmful chemicals. You can trust the Arboria name for environmentally conscious, exceptional outdoor products.

¹USDA.com Release No. 0426.11

ABOUT YOUR PRODUCT

This Arboria garden structure is made from natural and untreated Western Red Cedar, a species that is known for its natural resistance to pests and decay. This product features furniture-style craftsmanship to ensure strength and durability over the years to come.

Like all wood products subjected to weather, small hairline cracks may develop. These should in no way impair the strength and usefulness of the furniture.

CARE AND MAINTENANCE

If left unstained, your Arboria garden structure will silver within a year or two of exposure to the elements. Silvering is a natural occurrence and is often considered a desirable look. The overall integrity of your garden structure is not compromised during this process. The inherent rot and pest resistance of the wood will provide a degree of protection and help your garden structure to endure over the years.

If you wish to further protect your structure from the long-term effects of aging or to stabilize the color/finish of your product, we recommend applying a quality water or oil-based finish. Best results can be achieved by using Penofin (www.penofin.com, 1.800.PENOFIN) as per manufacturer's instructions. If you desire to paint your product, we recommend a quality oil or acrylic primer coat prior to applying the final coat(s). Be sure to allow sufficient time for your product to dry. Avoid applying finish to any metal or non-wood parts, as well as any sections of your product which have a factory applied color stain.