



Assembly Instructions

Cedar Pergola



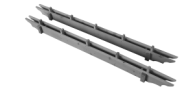
*Thank you for choosing **A&L Furniture Co.***

We hope that this piece brings you many years of enjoyment!

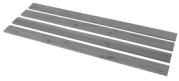
For help with assembling your furniture,
or if you have missing hardware, please email us at
help@aandlfurniture.com or call us at 866-896-5747

PARTS (included)

(A) Beam Assemblies (2)



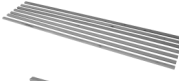
(B) 1x6 Crossbeams (4)



(C) 1x6 Rafters (5, 7 or 8)



(D) 1x2 Top Slats (7)



(E) 4x4x8 Posts (4)



(F) Braces (8)



TOOLS NEEDED

Power Drill

Screw Gun

$\frac{7}{16}$ " Wrench or Socket

$\frac{3}{16}$ " Drill Bit

Hammer

HARDWARE (included)

$\frac{1}{4}$ " x $2\frac{3}{4}$ " Bolts (16)

(a)



$\frac{1}{4}$ " x $2\frac{1}{2}$ " Lag Screws (16)

(b)



$2\frac{1}{2}$ " Wood Screws (160)

(c)



$\frac{1}{4}$ " Washers (16)

(d)



$\frac{1}{4}$ " Hex Nuts (16)

(e)



Square Drive Bit (1)

(f)



Allen Wrench (1)

(g)



Swing Hangers (4)

(h)



Ground Stakes (4)

(i)



STEP 1

Take the 2 beam assemblies and place them upright on the floor well apart. (See photo 1.) Now take the crossbeams and position them so they form a square with the beam assemblies. (See photo 2.) Now fasten them together using the $2\frac{1}{2}$ " wood screws. (See photo 3.)

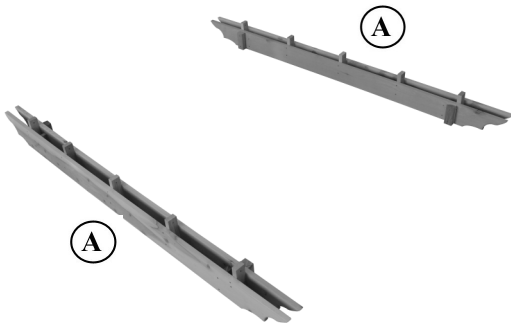


photo 1

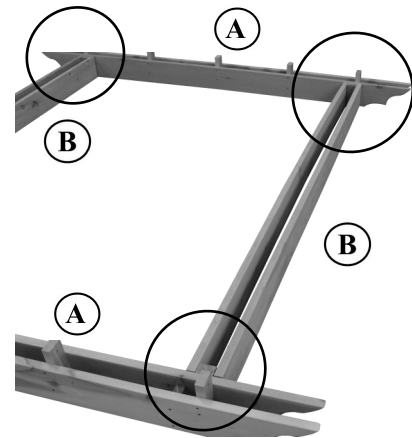


photo 2

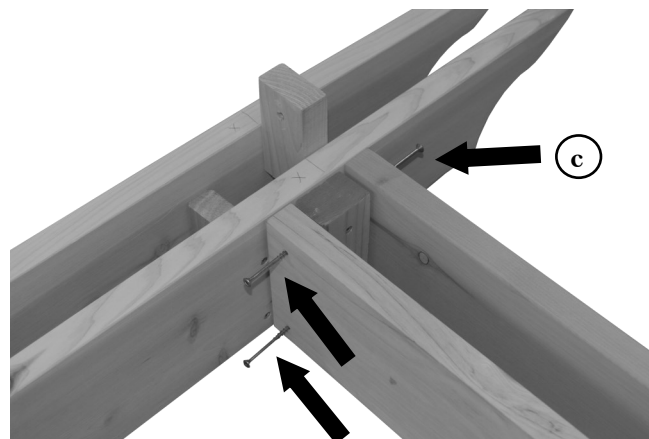


photo 3

STEP 2

Now you are ready to begin with the rafters. (Note: A 6x8 pergola will have 5 rafters, an 8x8 will have 7 and an 8x10 will have 8.) The beam assemblies should have an X beside each of the blocks that stick up out of the beams. (See photo 4.) Place your rafters on top of these X's all along the top of the beam assemblies. (See photo 5.) Insert $2\frac{3}{4}$ " bolts through the predrilled holes in rafters and blocks. (See photo 6.) Put a $\frac{1}{4}$ " washer on each bolt followed by a $\frac{1}{4}$ " hex nut. (See photo 7.) Tighten with $\frac{7}{16}$ " wrench or socket using the Allen wrench to hold the bolt.

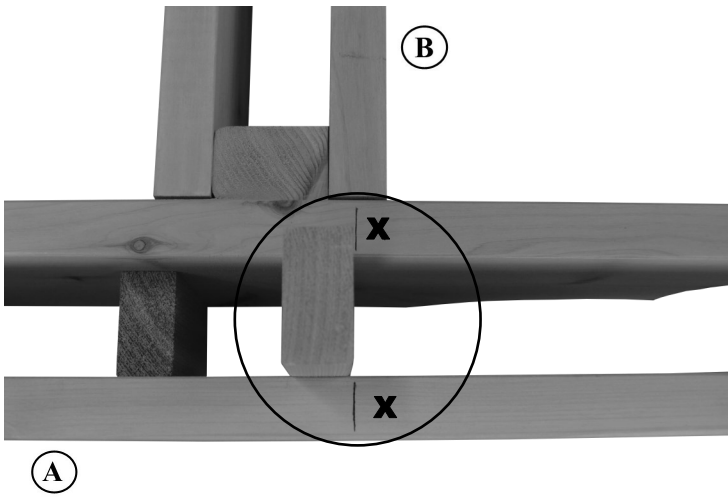


photo 4

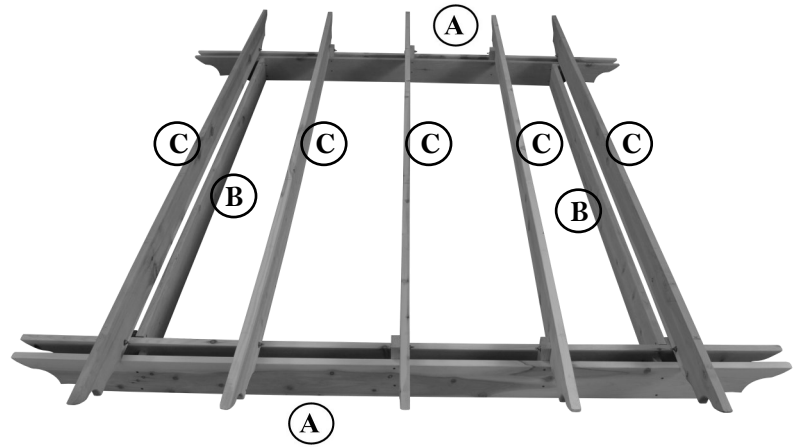


photo 5

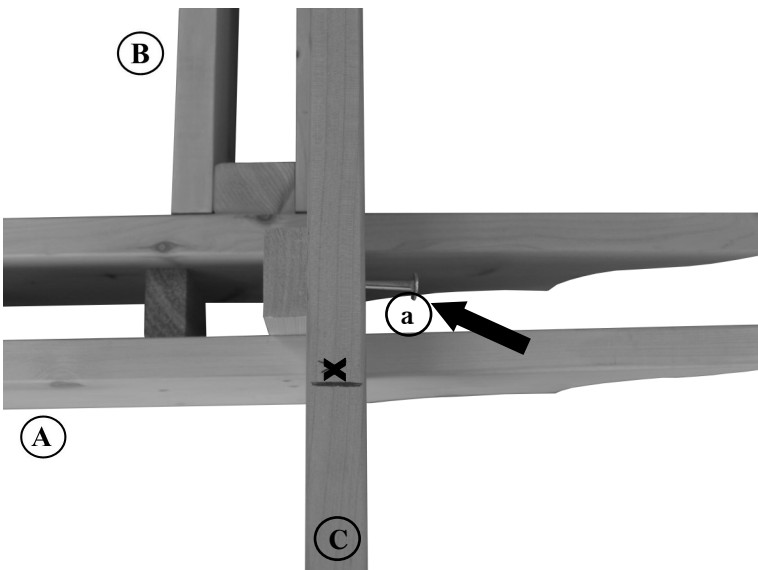


photo 6

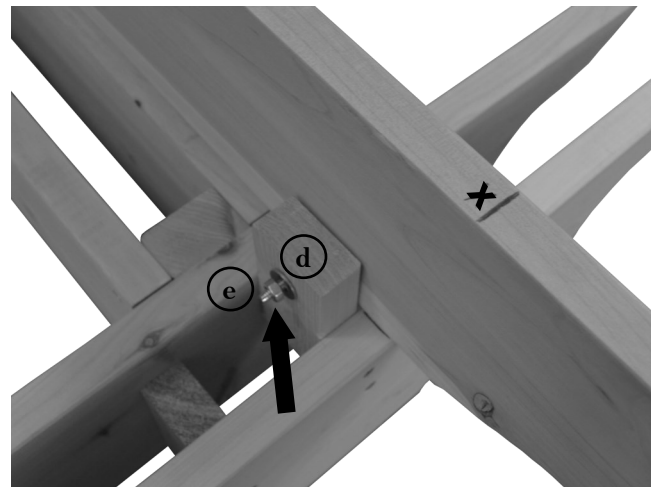


photo 7

STEP 3

Now attach the 1x2 top slats to the top of the rafters. (See photo 8.) (The rafters are also marked with an X.) Place the slats on top of the X.) Using the screw gun with the provided square drive bit, drive a 2½" wood screw through every slat into the rafter. (See photo 9.) They are self drilling. You do not need to predrill. (Note: The slats may be somewhat crooked, if you have a crooked slat, fasten the two ends in the correct places, then you should be able to straighten it before you fasten the middle.

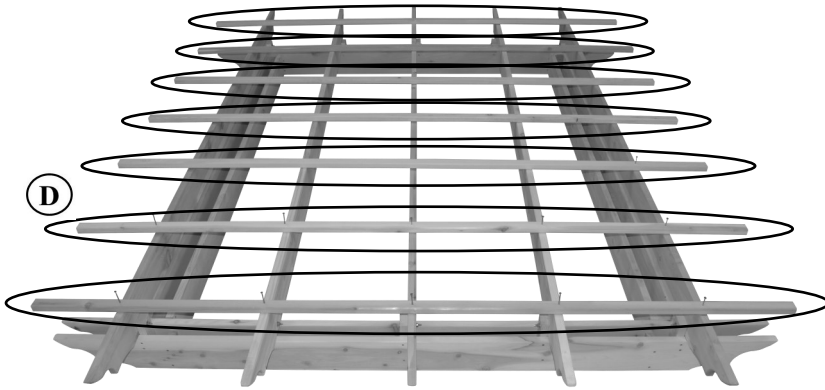


photo 8

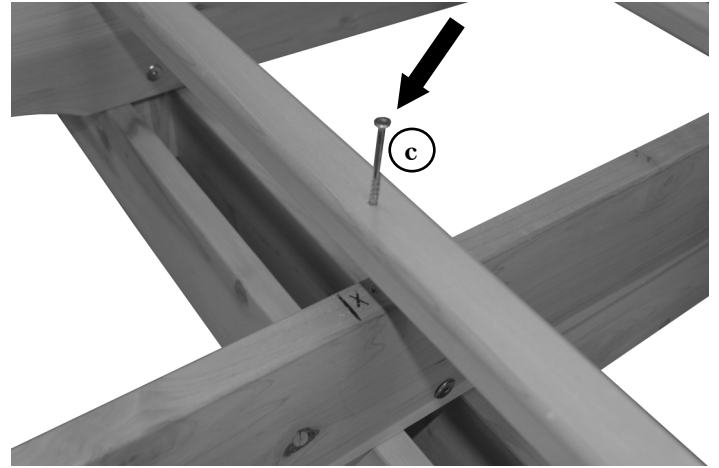


photo 9

STEP 4

Find 4 friends or a forklift to help with this step. Put the notched end of the posts into the bottom of the beam assemblies outside of the 1x2½" block of the beam assembly. (See photo 10.) Drive two 2½" wood screws through the beam assembly into the post. (See photo 11.) Make sure you have several people to hold the pergola steady until the braces are attached.

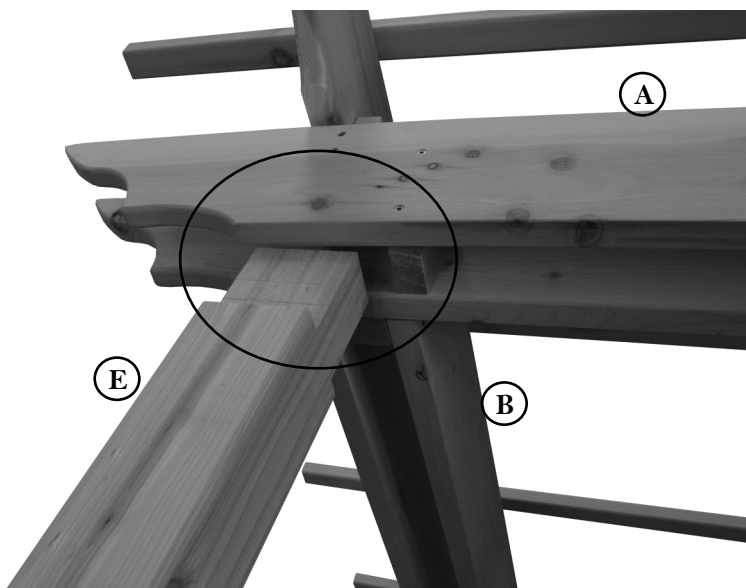


photo 10

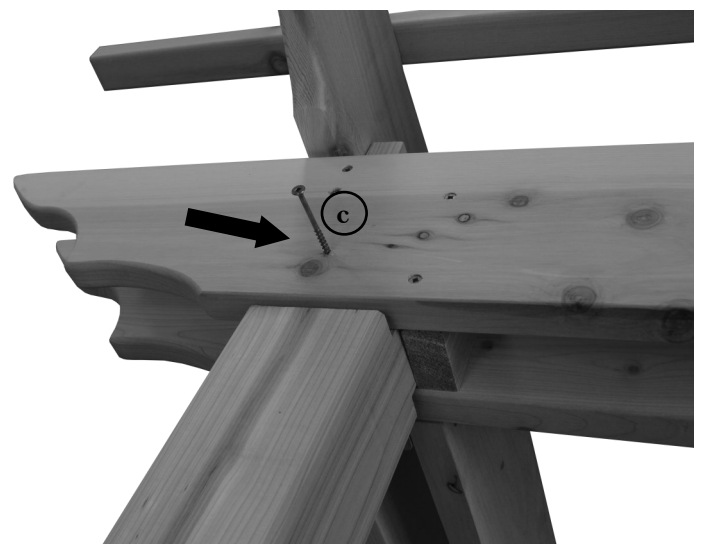


photo 11

STEP 5

Now attach all eight braces using 2 braces to each post. You will probably have to pull the bottom of the post one way or the other in order for the braces to fit squarely into the corners between the posts and beams. Drive 8 wood screws through each brace into the posts and beams. (See photo 12.) Now attach the swing hangers to the bottoms of the rafters in the correct places to fit whatever swing you have. You will need to predrill for the 2½" lag screws using a drill bit no larger than 3/16". Insert 2½" lag screws and tighten using 7/16" wrench or socket. (See photo 13.)

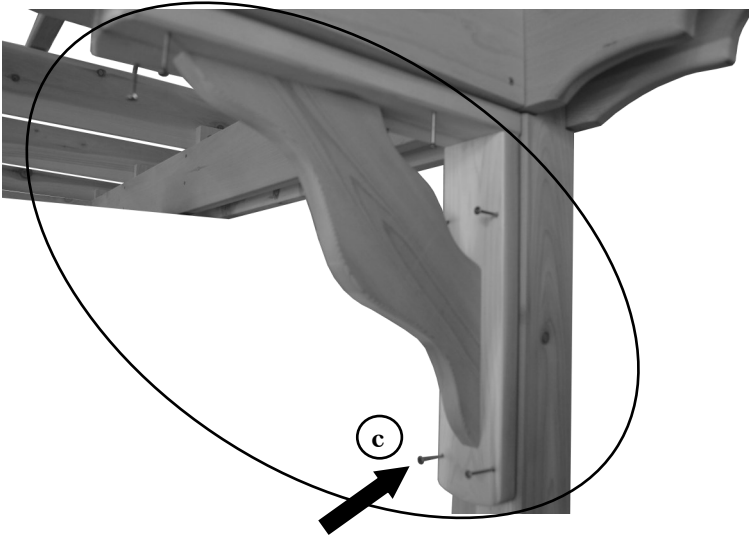


photo 12

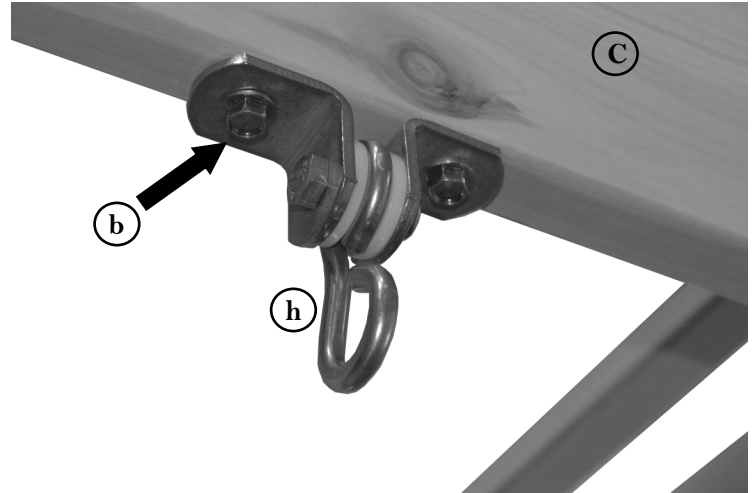
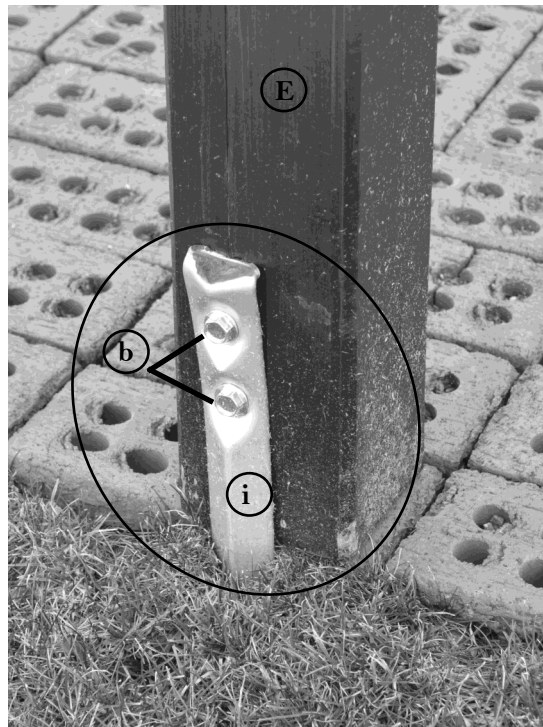


photo 13

STEP 6

Pound a ground stake at least 6" deep into the ground beside each post. Attach to the post using two 2½" lag screws for each stake. (See photo 14.) If your pergola has a deck you can attach the stakes to the deck if needed.

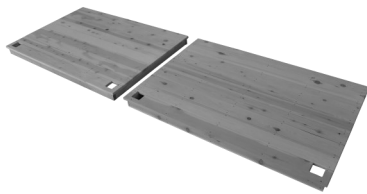
If you are placing the pergola on a deck or a patio you can purchase mounting brackets that fit a standard 4x4 post at a hardware store to secure the pergola.



If your pergola comes with a deck, use with the following pergola deck instructions.

PARTS

Ⓒ Deck Sections (2)



HARDWARE

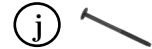
1/4" Washers (6)



1/4" Hex Nuts (6)



1/4" x 3 1/2" Bolts (6)



3" Wood Screws (16)



STEP 1

Lay the 2 deck sections upside down beside each other with the post holes away from each other. (See photo 15.) Insert a 3 1/2" bolt through each of the predrilled holes where the two sections come together. Put a 1/4" washer on each bolt followed by a 1/4" hex nut. (See photo 16.) Tighten using the 7/16" wrench or socket. Now with 3 friends to help you, turn the deck right side up (see photo 17) and lift the whole pergola up over the deck and set it down with a post in each hole in the corners of the deck. (See photo 18.) Now drive four 3" wood screws through each corner of the deck into the post (see photo 19) and finally install your ground stakes fastening them to the side of the deck as noted in Step 6.

