
Ambient Weather F008PFN 8-Channel Wireless Floating Pool and Spa Thermometer User Manual



Table of Contents

1	Introduction	2
2	Getting Started	2
2.1	Parts List	2
2.2	Floating Pool and Spa Thermometer Sensor Set Up.....	2
2.3	Sensor Placement	8
3	Maintenance.....	8
4	Glossary of Terms	9
5	Specifications.....	9
4.1	Wireless Specifications	9
4.2	Measurement Specifications	9
4.3	Power Consumption.....	9
6	Troubleshooting Guide.....	9
7	Accessories	10
8	Liability Disclaimer	11
9	FCC Statement	11
10	Warranty Information	12

1 Introduction

Thank you for your purchase of the Ambient Weather F008PFN 8-Channel Wireless Floating Pool and Spa Thermometer. The following user guide provides step by step instructions for installation, operation and troubleshooting. To download the latest manual and additional troubleshooting tips, please visit the FAQ website:

<http://ambientweather.wikispaces.com/f008pfn>

The F008PFN transmits wirelessly to any compatible Ambient Weather receiver, including the WS-07, WS-08 and WS-09, WS-10, WS-11, WS-110, WS-12, WS-14, WS-15, WS-16, WS-21, WS-23, and WS-24 wireless weather station display consoles. Other console models may be added later, and will be listed on the FAQ website.


2 Getting Started

 **Note:** The power up sequence must be performed in the order shown in this section (insert batteries in the remote transmitter(s) first, Display Console second).

2.1 Parts List

QTY	Item
1	Thermometer transmitter (F008PFN) for pool/SPA Dimensions (LxHxW): 8.5" x 4.2" x 3.7" (216x106x95mm) Remote sensor depth: 7.1" (180mm)
2	User Manual

2.2 Floating Pool and Spa Thermometer Sensor Set Up

 **Note:** We recommend fresh alkaline batteries for temperature ranges between -4 °F and 140 °F and fresh lithium batteries for temperature ranges between -40 °F and 140 °F. The solar panel does not charge the batteries, so rechargeable batteries are not needed or recommended.

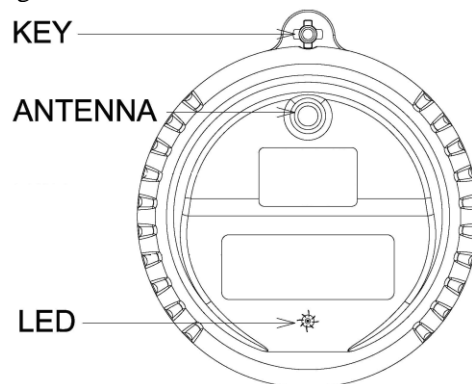



Figure 1

1. To insert the batteries,, (1) Twist the KEY lid to unlock, (2) remove the key, and (3) twist the main body of the sensor by removing the lid, as shown in Figure 2 .

 **IMPORTANT NOTE:** Turn the lid counter clockwise to open, like the lid of a jar. Turning the lid clockwise may overtighten the lid.

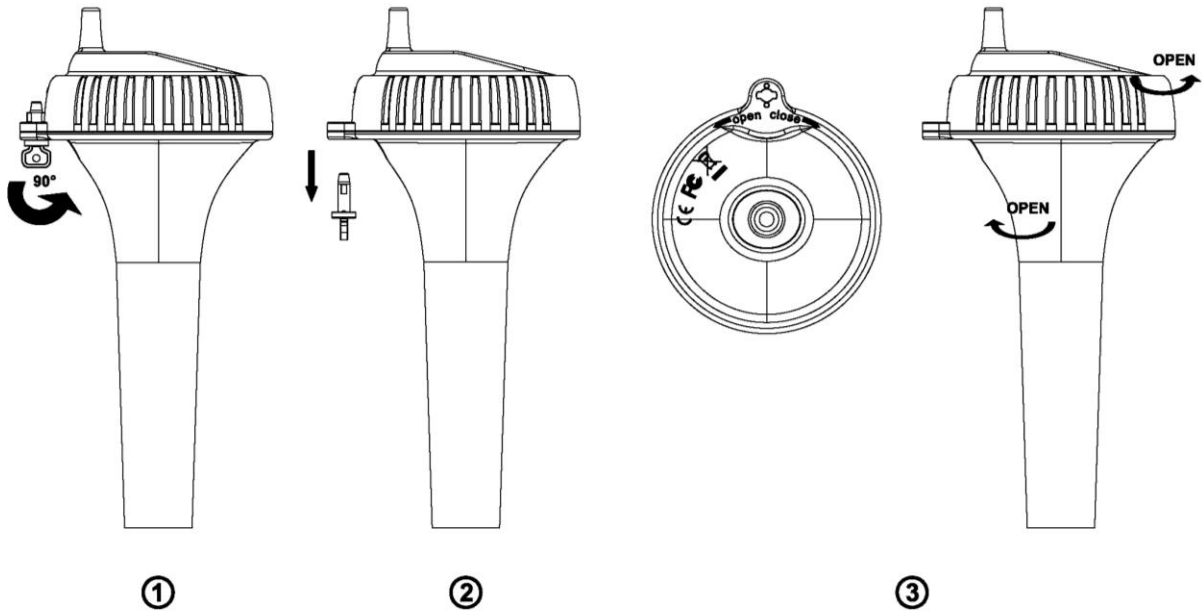


Figure 2

 **IMPORTANT NOTE:** Turn the lid counter clockwise to open, like the lid of a jar. Turning the lid clockwise may overtighten the lid.

2. The floating thermometer includes dip switches for assigning channel numbers. **BEFORE** inserting the batteries, locate the dip switches on the inside cover of the lid of the transmitter. Figure 4 displays all four switches in the OFF position (factory default setting).

NOTE: The pool float includes a reset button.

If the LED does not flash after inserting the batteries, press the reset button shown in Figure 3.

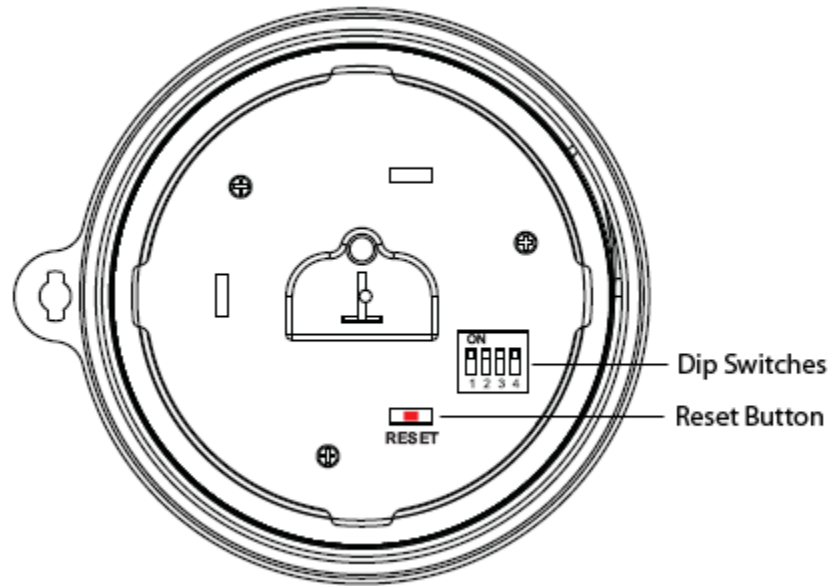


Figure 3



Figure 4

Channel Number: The F008PFN supports up to eight transmitters. To set each channel number (the default is Channel 1), change Dip Switches 1, 2 and 3, as referenced in Table 1.

Temperature Units of Measure: To change the transmitter display units of measure (°F vs. °C), change Dip Switch 4, as referenced in Table 1.

DIP SWITCH				FUNCTION
1	2	3	4	
DOWN	DOWN	DOWN	---	Channel 1 (pool)
DOWN	DOWN	UP	---	Channel 2 (SPA)
DOWN	UP	DOWN	---	Channel 3 (optional)
DOWN	UP	UP	---	Channel 4 (optional)
UP	DOWN	DOWN	---	Channel 5 (optional)
UP	DOWN	UP	---	Channel 6 (optional)
UP	UP	DOWN	---	Channel 7 (optional)
UP	UP	UP	---	Channel 8 (optional)
---	---	---	DOWN	°F
---	---	---	UP	°C

Table 1

3. Reference Figure 5. Install 4 x AAA batteries.

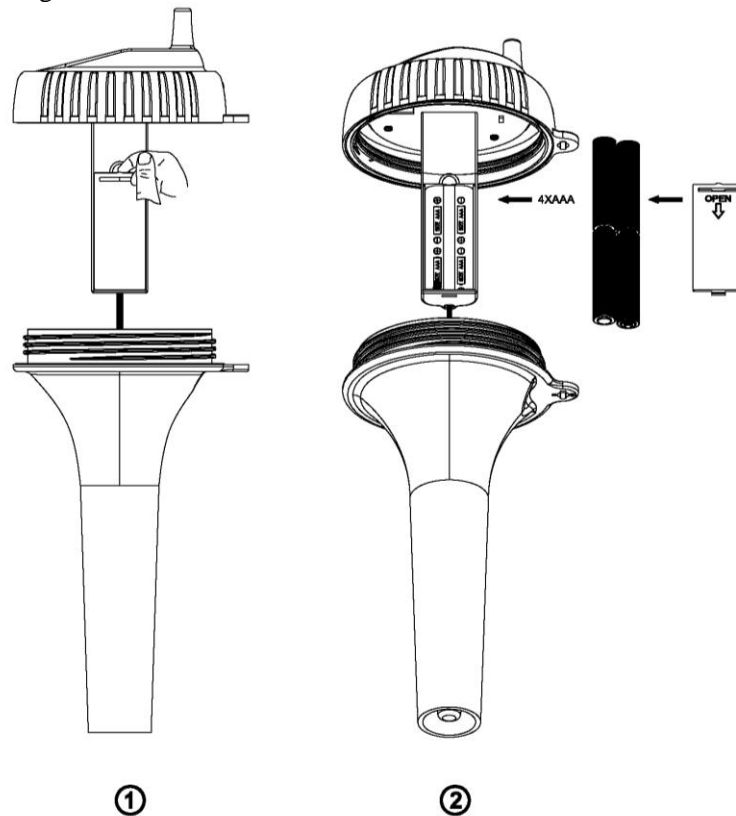


Figure 5

- (1) Open the battery compartment and (2) insert 4 x AAA batteries into the battery compartment, observing the correct battery polarity.
4. After inserting the batteries, the remote sensor LED indicator will light for 4 seconds, then flash the channel number (example, once for channel 1 and eight times for channel 8), and then flash once per 60 seconds thereafter. Each time it flashes, the sensor is transmitting data.
5. Close the battery door. Make sure both red colored gaskets are properly seated in their traces prior to closing the battery door, as shown in Figure 6. Failure to properly seal the floating thermometer will result in water leakage and damage.

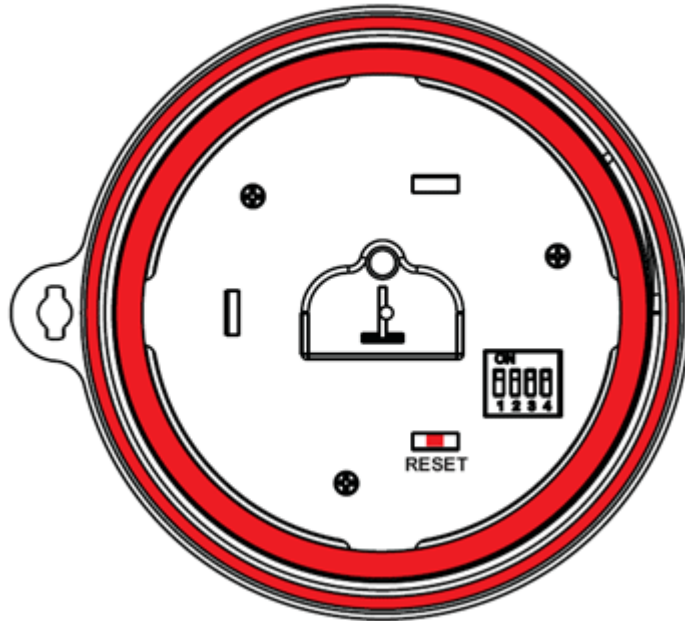


Figure 6

6. To close the lid, (1) Twist the lid until it is firmly locked and the key is aligned. (2) Insert the key and turn 90 degrees to lock the lid, as shown in Figure 7.

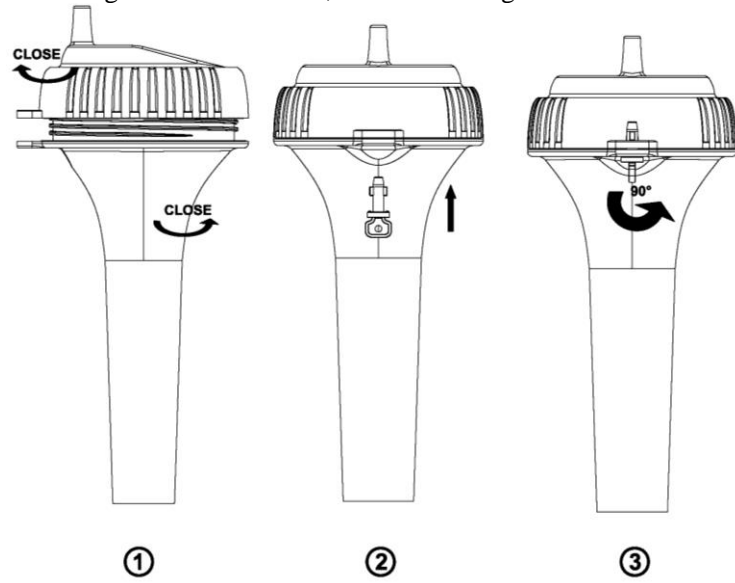


Figure 7

A tether can be added into the key as shown in Figure 8.

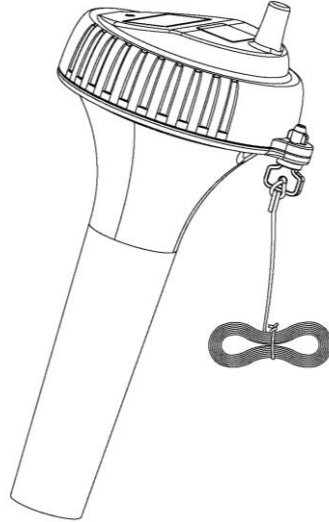


Figure 8

Place the sensor in the water and make sure that it is within the effective transmission range from the display console.

2.3 Sensor Placement

1. Place the sensor in the pool or spa within 100 feet of the display console (Figure 9, reference A). Avoid transmitting through solid earth or ground (Figure 9, reference B). Use a tether (string) to fix the sensor in the pool or spa.
2. Place the console at least three feet away from computers, TVs and wireless phones.
3. Avoid transmitting through solid metal barriers.

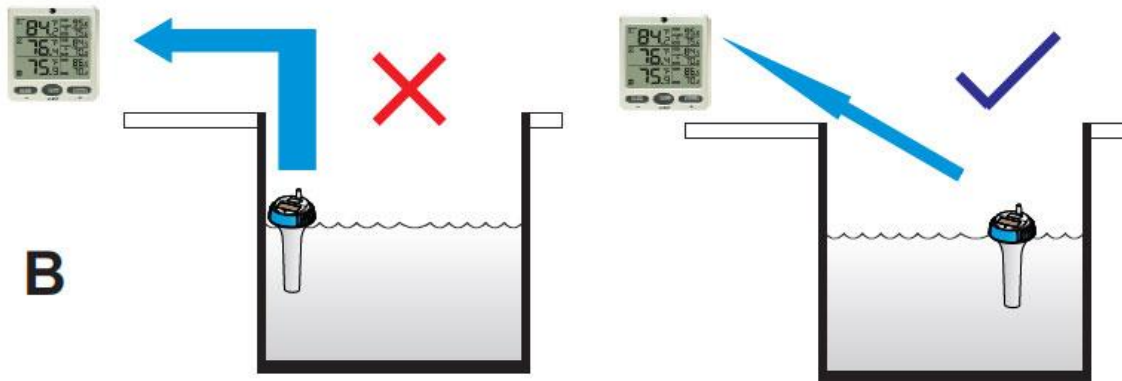
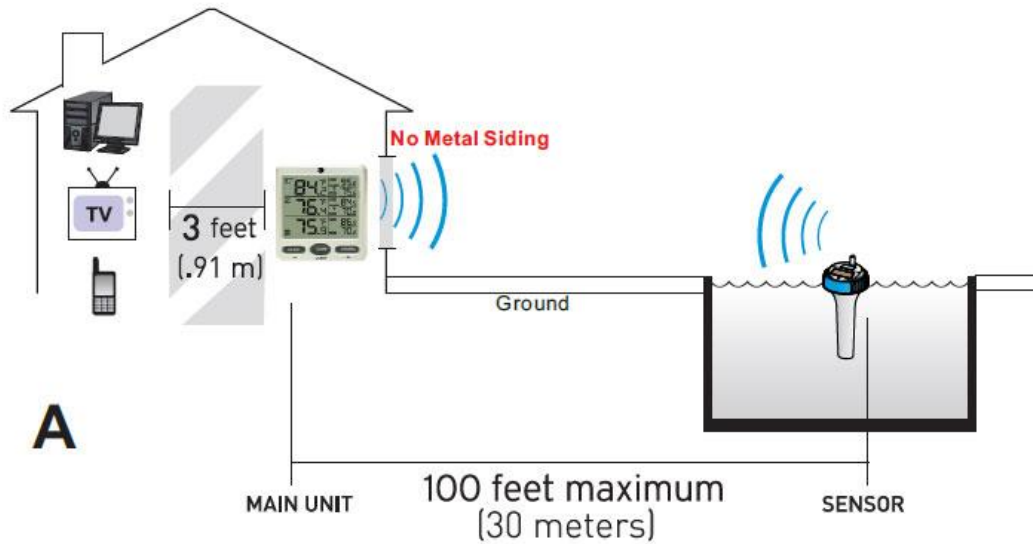


Figure 9

NOTE: The F008PF is designed to float. If the F008PF is used under a cover and the sensor is constantly submerged, the additional pressure will lead to premature gasket failure. Moisture will enter the sensor compartment and cause sensor failure.

3 Maintenance

During each battery change (1-2 years), we recommend applying waterproof silicon grease to the

seals:

http://en.wikipedia.org/wiki/Silicone_grease

Silicone grease is available at most hardware and pool stores.

4 Glossary of Terms

Term	Definition
Accuracy	Accuracy is defined as the ability of a measurement to match the actual value of the quantity being measured.
Range	Range is defined as the amount or extent a value can be measured.

5 Specifications

4.1 Wireless Specifications

- Line of sight wireless transmission (in open air): 150 feet, 100 feet under most conditions.
- Frequency: 433 MHz
- Update Rate: 60 seconds

4.2 Measurement Specifications

The following table provides specifications for the measured parameters.

Measurement	Range	Accuracy	Resolution
Channel 1-8 Temperature	-40 to 140 °F	± 1 °F	0.1 °F

4.3 Power Consumption

- Remote sensor : 4 x AAA 1.5V Alkaline or Lithium batteries (not included)
- Battery life:
Minimum 24 months for floating thermometer sensor (use lithium batteries for temperatures less than -4 °F)

6 Troubleshooting Guide

If your question is not answered here, you can contact us as follows:

1. Email Support: support@ambientweather.com
2. Live Chat Support: www.ambientweather.com/chat.html (M-F 8am to 4pm Arizona Time)
3. Technical Support: 480-346-3380 (M-F 8am to 4pm Arizona Time)

Problem	Solution
Wireless remote (floating thermometer) not reporting in to console.	The maximum line of sight communication range is 150' and 100' under most conditions. Move the sensor closer to the display console.
There are dashes (--.) on the display console.	If the sensor assembly is too close (less than 5'), move the sensor assembly away from the display console.

Problem	Solution
	<p>Make sure the transmitter LCD light is flashing once per 60 seconds.</p> <p>Install a fresh set of batteries in the remote thermometer. For cold water environments, install lithium batteries.</p> <p>Make sure the remote sensors are not transmitting through solid metal (acts as an RF shield), or earth barrier (down a hill).</p> <p>Move the display console around electrical noise generating devices, such as computers, TVs and other wireless transmitters or receivers.</p> <p>Use the tether to fix the sensor as close as possible to the console.</p>
Pool float does not power up.	<p>If the display does not power up after inserting the batteries, press the reset button shown in Figure 3.</p> <p>If your pool float does not include a reset button, cover the solar panel with one hand, remove the batteries, wait 60 seconds, reinsert the batteries, and uncover the solar panel.</p>

7 Accessories

The following software and hardware accessories are available for this weather station at www.AmbientWeather.com.

Accessory Part Number	Description
F008PFN	Additional float thermometers. Console supports up to 8 channels.
F007PF	Additional float thermometers with LCD display. Supports up to 8 channels.
F007T	Wireless thermometer. Consoles support up to 8 channels.
F007TH	Wireless thermometer-hygrometer. WS-07, WS-08 supports up to 8 channels.
F007TP	Wireless temperature probe. Consoles support up to 8 channels.
WS-07-C	Ambient Weather WS-07 Big Digit 8-Channel Wireless Thermo-Hygrometer Console. Add as many consoles as you like.
WS-08-C	Ambient Weather WS-08 Wireless Indoor/Outdoor 8-Channel Thermo-Hygrometer with Daily Min/Max Display Console. Add as many consoles as you like.
WS-091-C	Ambient Weather WS-09 8-Channel Wireless Refrigerator/Freezer Thermometer console. Add as many consoles as you like.
WS-10-C	Ambient Weather WS-10-C Wireless Indoor/Outdoor 8-Channel Thermo-Hygrometer, Console Only. Add as many consoles as you like.
WS-23-C	Ambient Weather WS-23-C 8-Channel Wireless Thermo-Hygrometer, Console Only. Add as many consoles as you like.
WS-24-C	Ambient Weather WS-24-C 8-Channel Wireless Thermometer, Console Only. Add as many consoles as you like.

8 Liability Disclaimer

Please help in the preservation of the environment and return used batteries to an authorized depot. The electrical and electronic wastes contain hazardous substances. Disposal of electronic waste in wild country and/or in unauthorized grounds strongly damages the environment.

Reading the “User manual” is highly recommended. The manufacturer and supplier cannot accept any responsibility for any incorrect readings and any consequences that occur should an inaccurate reading take place.

This product is designed for use in the home only as indication of weather conditions. This product is not to be used for medical purposes or for public information.

The specifications of this product may change without prior notice.

This product is not a toy. Keep out of the reach of children.

No part of this manual may be reproduced without written authorization of the manufacturer.

Ambient, LLC WILL NOT ASSUME LIABILITY FOR INCIDENTAL, CONSEQUENTIAL, PUNITIVE, OR OTHER SIMILAR DAMAGES ASSOCIATED WITH THE OPERATION OR MALFUNCTION OF THIS PRODUCT.

9 FCC Statement

Statement according to FCC part 15.19:

This device complies with part 15 of the FCC rules. Operation is subject to the following two conditions:

1. This device may not cause harmful interference.
2. This device must accept any interference received, including interference that may cause undesired operation.

Statement according to FCC part 15.21:

Modifications not expressly approved by this company could void the user's authority to operate the equipment.

Statement according to FCC part 15.105:

NOTE: This equipment has been tested and found to comply with the limits for a Class B digital device, pursuant to Part 15 of the FCC Rules. These limits are designed to provide reasonable protection against harmful interference in a residential installation. This equipment generates, uses and can radiate radio frequency energy and, if not installed and used in accordance with the instructions, may cause harmful interference to radio communications.

However, there is no guarantee that interference will not occur in a particular installation. If this equipment does cause harmful interference to radio or television reception, which can be determined by turning the equipment off and on, the user is encouraged to try to correct the interference by one or more of the following measures:

- Reorient or relocate the receiving antenna.
- Increase the separation between the equipment and receiver.
- Connect the equipment into an outlet on a circuit different from that to which the receiver is connected.
- Consult the dealer or an experienced radio/TV technician for help.

10 Warranty Information

Ambient, LLC provides a 1-year limited warranty on this product against manufacturing defects in materials and workmanship.

This limited warranty begins on the original date of purchase, is valid only on products purchased and only to the original purchaser of this product. To receive warranty service, the purchaser must contact Ambient, LLC for problem determination and service procedures.

Warranty service can only be performed by a Ambient, LLC. The original dated bill of sale must be presented upon request as proof of purchase to Ambient, LLC.

Your Ambient, LLC warranty covers all defects in material and workmanship with the following specified exceptions: (1) damage caused by accident, unreasonable use or neglect (lack of reasonable and necessary maintenance); (2) damage resulting from failure to follow instructions contained in your owner's manual; (3) damage resulting from the performance of repairs or alterations by someone other than an authorized Ambient, LLC authorized service center; (4) units used for other than home use (5) applications and uses that this product was not intended (6) the products inability to receive a signal due to any source of interference or metal obstructions and (7) extreme acts of nature, such as lightning strikes or floods.

This warranty covers only actual defects within the product itself, and does not cover the cost of installation or removal from a fixed installation, normal set-up or adjustments, claims based on misrepresentation by the seller or performance variations resulting from installation-related circumstances.

